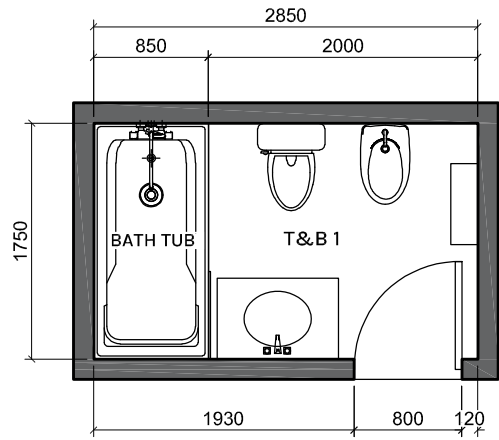


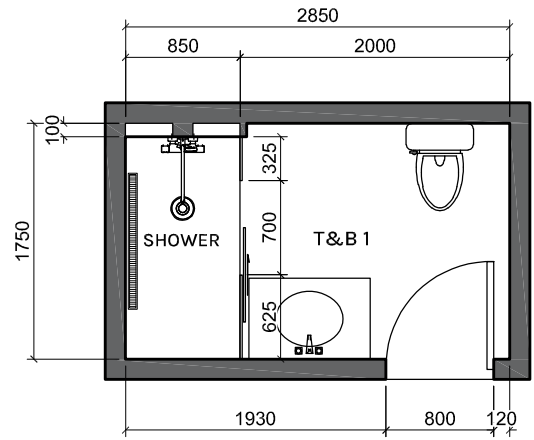
06
A 1
MASTER T&B
INTERIOR PERSPECTIVE
SCALE NTS

NOTE:
VERIFY ACTUAL MEASUREMENT ON SITE

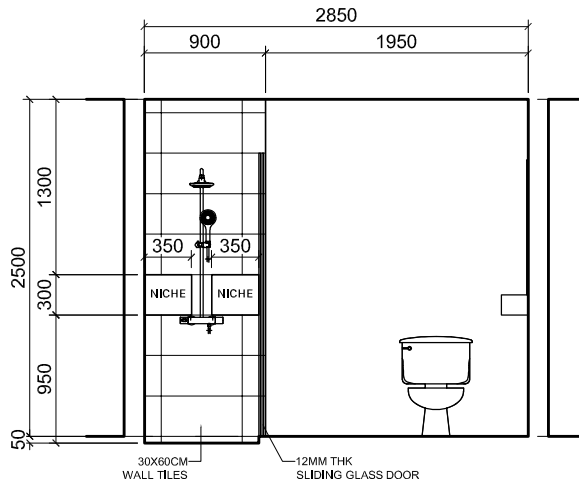
CONTRACTOR:	ARCHITECT/CIVIL ENGINEER:	PROJECT:	OWNER:	SHEET CONTENT:	SHEET NO.:
 <small>26 SAN ANDRES ST., CANUMAY WEST, VALENZUELA CITY TEL NOS. 292-7049/50/52 FAX NO. 292-6780</small>	ENGR. NELSON F. LAPIDO	BATHROOM RENOVATION	MR CAPARAS	MASTER T&B	A 1
	REG. NO.: 0068500 PTR NO.: CD-3461754			DESIGNED/DRAWN BY: MEN APPROVED BY: NFL	A 2
	TIN NO.: 185-414-580 DATE ISSUED: 02-01-2023	LOCATION: -		CHECKED BY: - DATE: 12/13/2023	



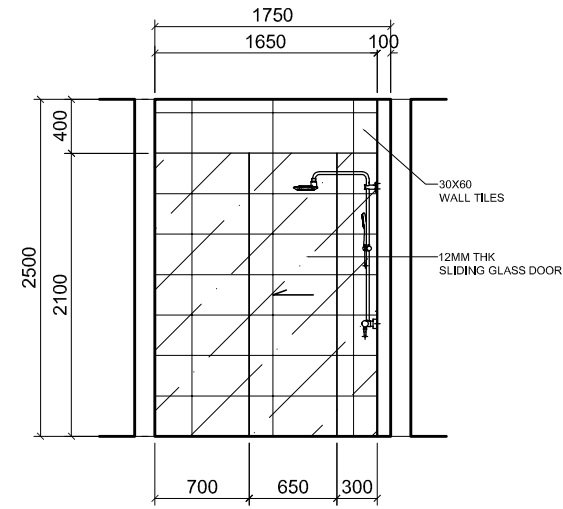
01
A 2
**T&B 1
ASBUILT PLAN**
SCALE 1:50M



02
A 2
**T&B 1
RENOVATION PLAN**
SCALE 1:50M



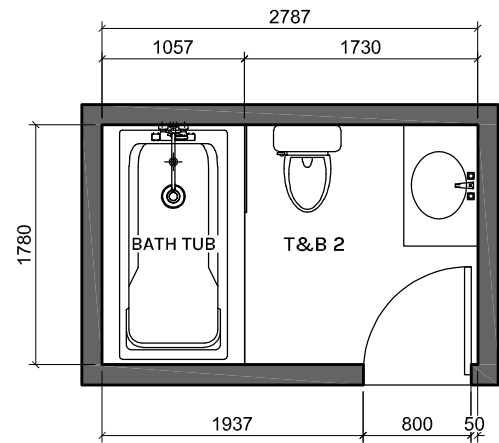
03
A 2
**T&B 1
SECTION - A**
SCALE 1:50M



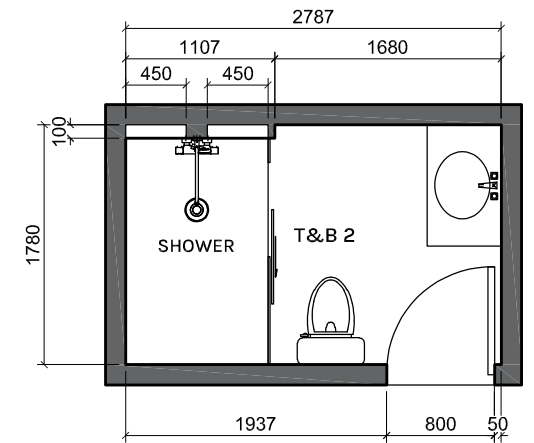
04
A 2
**T&B 1
SECTION - B**
SCALE 1:50M



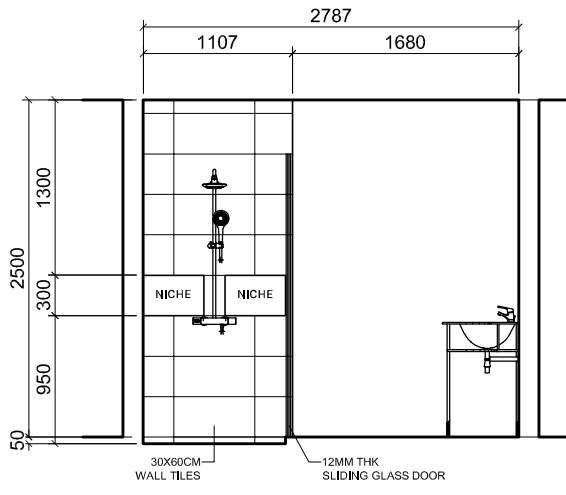
05
A 2
**T&B 1
PERSPECTIVE**
SCALE NTS



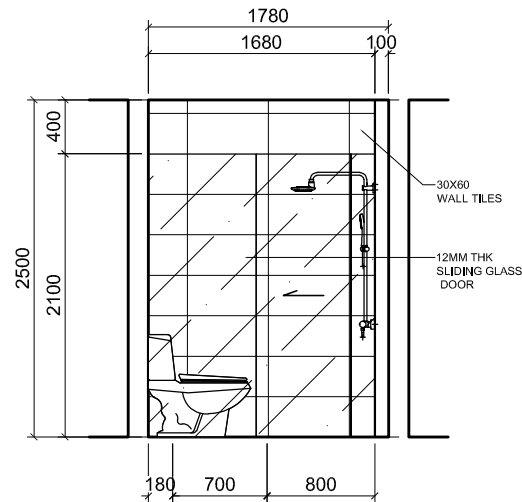
06
A 2
**T&B 2
ASBUILT PLAN**
SCALE 1:50M



07
A 2
**T&B 2
RENOVATION PLAN**
SCALE 1:50M




08
A 2
**T&B 2
SECTION - A**
SCALE 1:50M



09
A 2
**T&B 2
SECTION - A**
SCALE 1:50M



10
A 2
**T&B 2
PERSPECTIVE**
SCALE NTS

CONTRACTOR:	ARCHITECT/CIVIL ENGINEER:	PROJECT:	OWNER:	SHEET CONTENT:	SHEET NO.:
	ENGR. NELSON F. LAPIDO	BATHROOM RENOVATION	MR CAPARAS	T&B 1 T&B 2	A 2
	REG. NO.: 0068500 PTR NO.: CD-3461754			DESIGNED/DRAWN BY: MEN APPROVED BY: NFL	
	TIN NO.: 185-414-580 DATE ISSUED: 02-01-2023	LOCATION: -			CHECKED BY: - DATE: 12/13/2023