

Wall Hung Urinal



UW904SB
UW904SHB

Features

- Water- saving technology of 0.5 litres usage per flush.
- SpreaderWashing System: Flushing rapidly from the spreader flushes the urinal thoroughly and uses small amount of water than the normal plural hole model.
- CeFiONtect technology of super smooth, ion barrier glazing for a clean urinal.
- Compact shape allows space- saving.
- Easy cleaning for wall hung design.

Specifications

Size : 260 x 346 x 675

Water Pressure: 0.07Mpa ~ 0.75Mpa

Parts description

Fittings are included.
Flush valve is not included.

- **UW904SB**
Wall Hung Urinal Top Inlet Type
- **UW904SHB**
Wall Hung Urinal Back Inlet Type

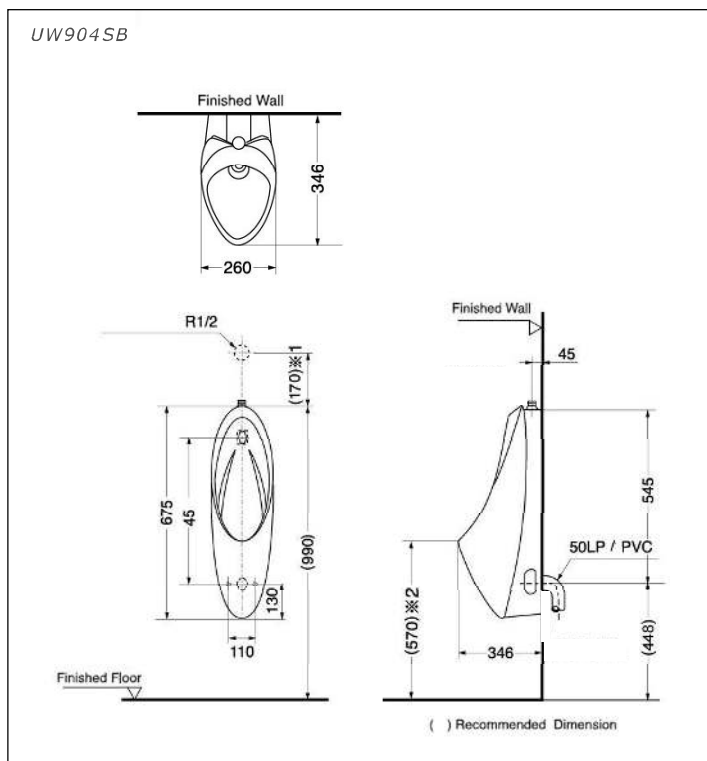
Optional Parts

- DUE111UK
Concealed Urinal Sensor Flush Valve
Battery Operated
- DUE111UE
Concealed Urinal Sensor Flush Valve
AC Operated

Please consult a TOTO representative for detail

Colors

White



UW904SB
UW904SHB

Wall Hung Urinal

