

FOSHAN EMPOLO BUILDING MATERIALS CO., LTD




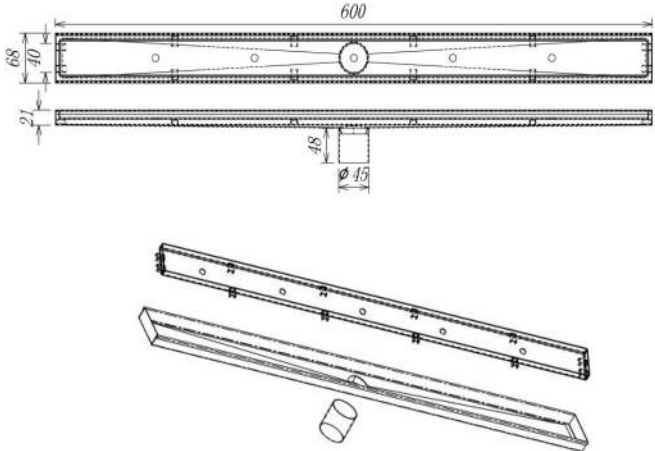
Add: N0.B135,First Floor ,China Ceramic City,
Shiwan,Foshan,Guangdong,China.

TEL: 0086-757-82275101, FAX:0086-757-82275011

E-mail: sale7@china-empolo.com, www.china-empolo.com

Contact: Molly He 13923188767

DATA SHEET

BRAND	EMPOLO
DESCREPTION	FLOOR DRAINER(EMBED TILES) 600*68*70MM ϕ 45
PHOTOS	DRAWING SIZE(MM)
	
PRODUCT DATA	TECHNICAL INFORMATION
RANGE: FLOOR DRAINER PRODUCT CODE: 78825-60 FINISH/COLOR: SATIN PRODUCT TYPE:EMBED TILES MATERIAL: 304 STAINLESS STEEL	FLOOR DRAINER(EMBED TILES) FIXING KIT: CEMENT CE STANDARD