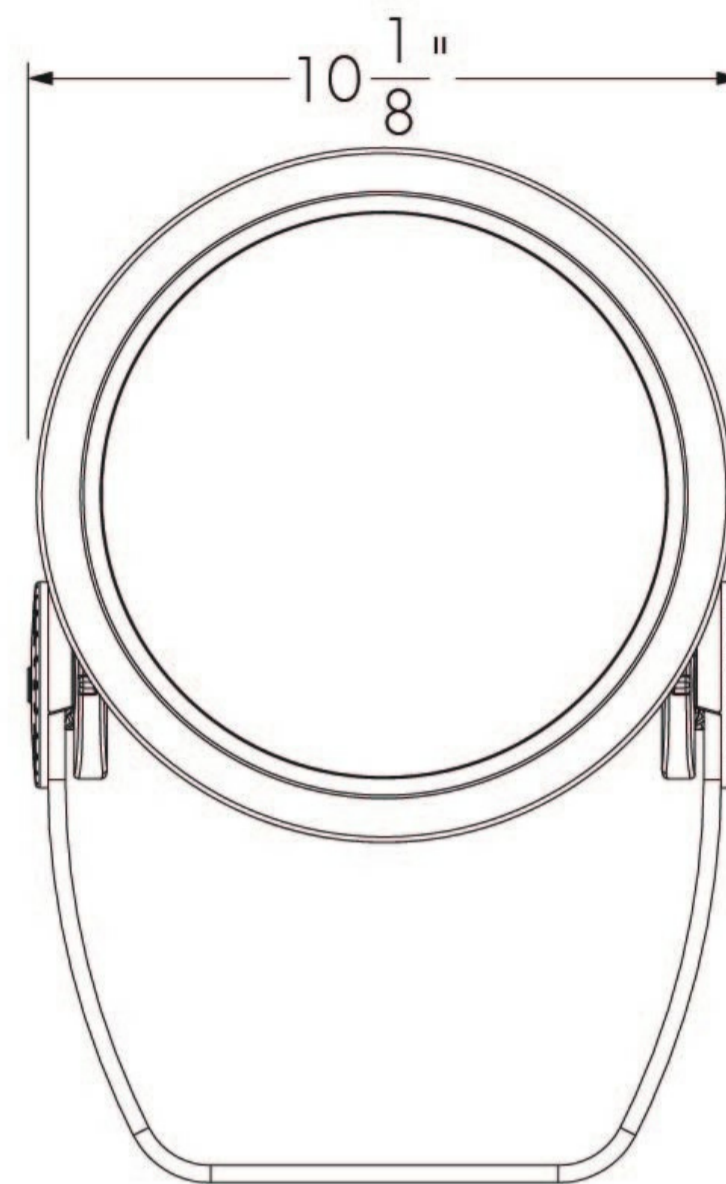
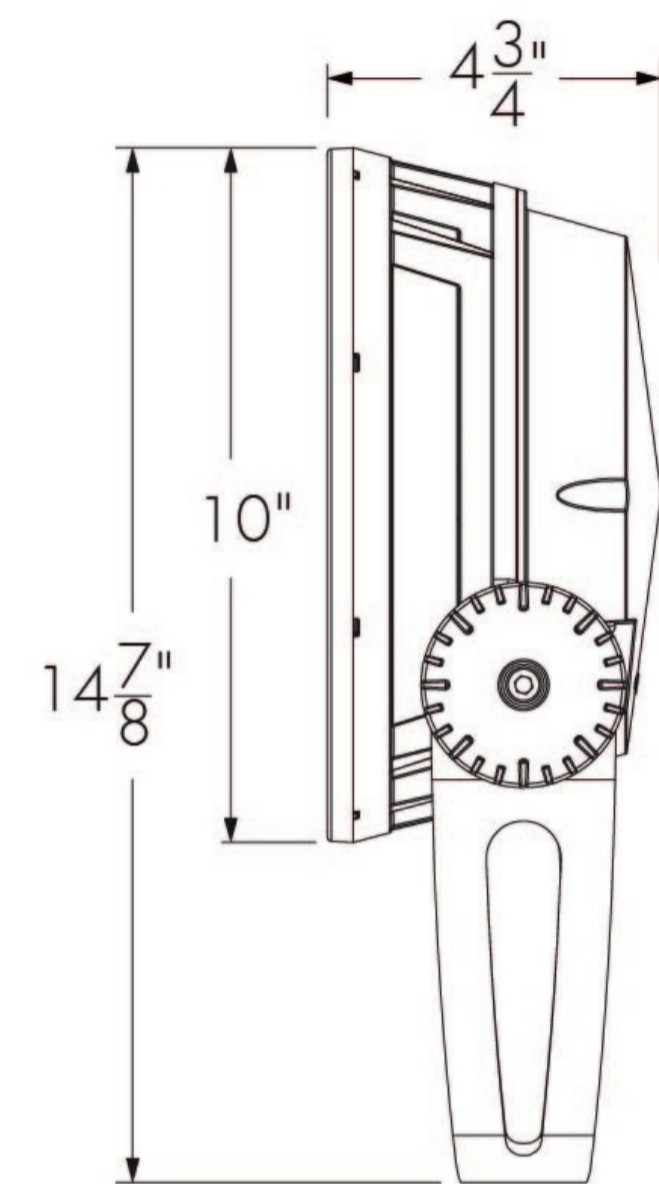


Project Name _____ Qty _____

Type _____ Catalog / Part Number _____



Front view



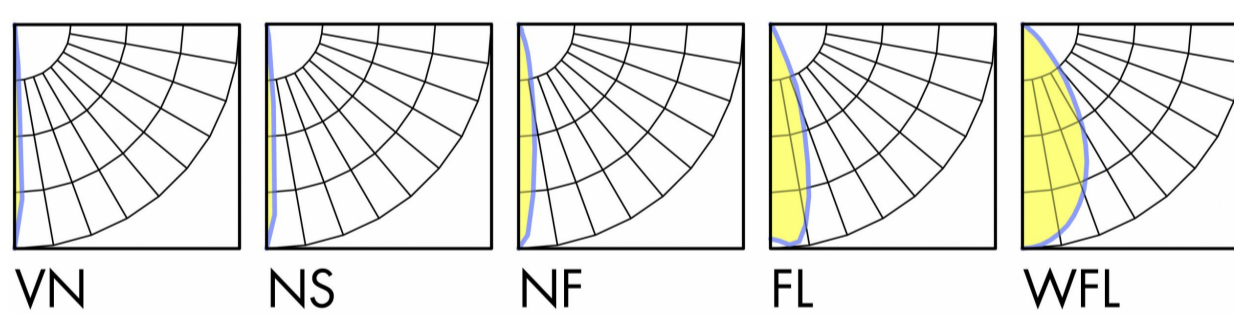
Side view

Photometric Summary

4000K	Delivered output (lm)	Intensity (peak cd)
VN	3,271	144,794
NS	2,896	98,556
NF	2,673	19,635
FL	2,692	7,448
WFL	2,623	2,480

Photometric performance is measured in compliance with IESNA LM-79-08.

Optics



Control

ON/OFF 0-10V DALI



Rating



Description

The Lumenbeam Large is a high-performance, 50W luminaire for solving complex lighting challenges such as multi-story building exteriors. It offers a wide array of options including a choice of optics for floodlighting or accent lighting; a number of color temperatures and colors; various mounting options, accessories, spread lenses and controls.

Features

Color and Color Temperature	2200K, 2700K, 3000K, 3500K, 4000K, 5700K, Red, Green, Blue
Optics (nominal distribution)	6°, 10°, 20°, 40°, 60°
Optical Option	Linear spread lens horizontal distribution, Linear spread lens vertical distribution
Options	Short Yoke, 3G ANSI C136.31 Vibration Rating for bridge applications, Corrosion-resistant coating for hostile environments
Power Consumption	50 W
Warranty	5-year limited warranty
Performance	
Delivered Output	3,271 lm (4000K, VN optic)
Delivered Intensity	144,794 cd at nadir (4000K, VN optic)
Illuminance at Distance	Minimum 1 fc at 381 ft distance (4000K, VN optic)
Color Consistency	2 SDCM
Color Rendering	CRI 80+
Lumen Maintenance	L70 120,000 hrs (Ta 25 °C)

Physical

Housing Material	Low copper content high pressure die-cast aluminum
Yoke Material	Heavy aluminum (standard yoke included)
Lens Material	Clear tempered glass
Hardware Material	Stainless steel
Gasket Material	Silicone
Surface Finish	Electrostatically applied polyester powder coat
Weight	12 lbs
EPA	Front = 0.94 sq ft, Side = 0.56 sq ft

Electrical and control

Voltage	100 to 277 volts
Fixture Cable	Power and data in 1 cable, 3 ft cord standard (#16-5), other lengths available
Resolution (DMX/RDM)	Per fixture, 8-bit or 16-bit
Control	On/Off control, Lumentalk, 0-10V dimming, DALI dimming, Lutron® EcoSystem® Enabled dimming, DMX/RDM enabled

Environmental

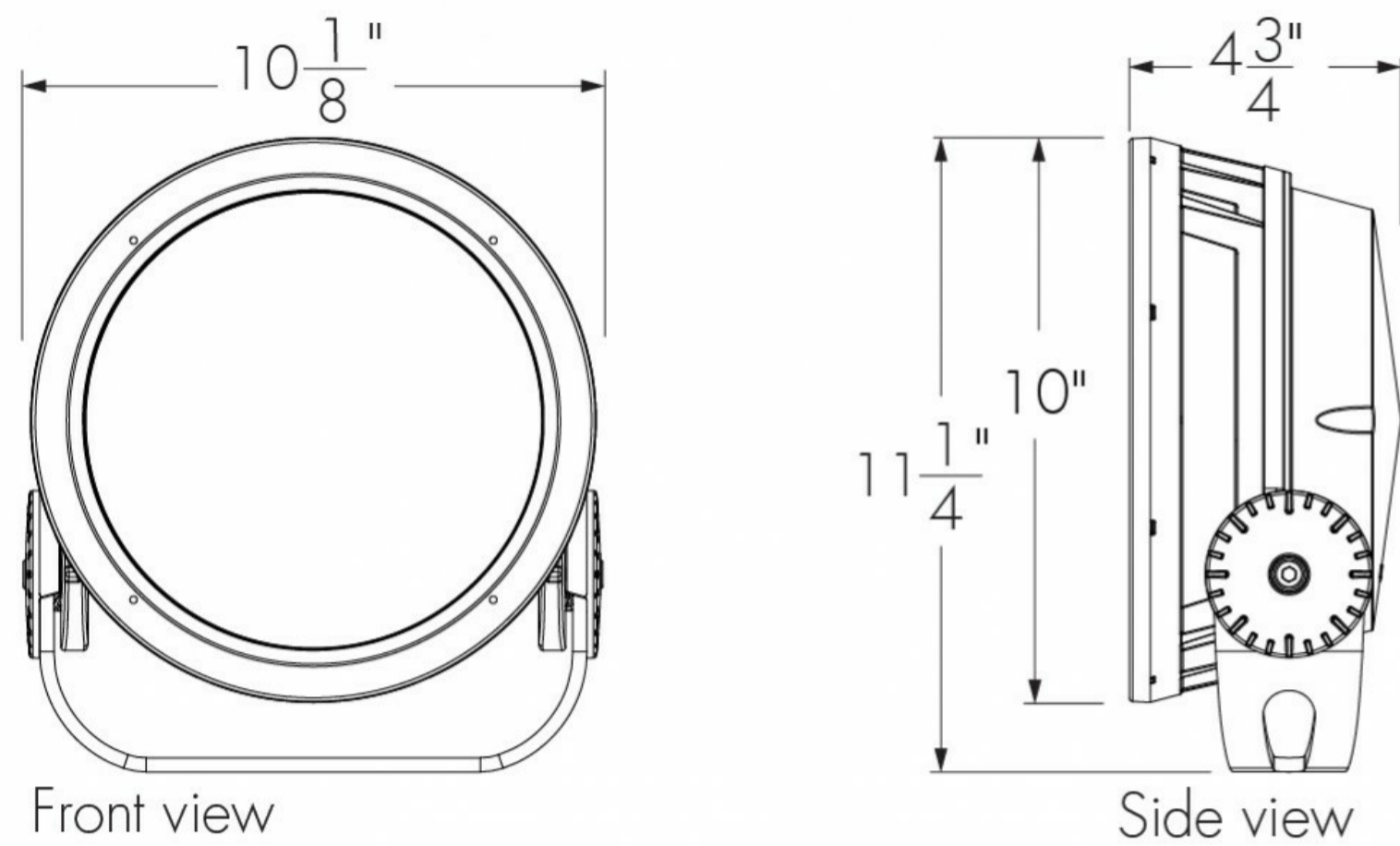
Operating Temperature	-13 °F to 122 °F
IP Rating	IP66
IK Rating	IK10

Accessories (order separately)

Control Boxes	Power and control box - daisy chain configuration, Power and control box - star configuration
Control Systems	Lumentouch 2.0™, Lumencue, Lumentone
Diagnostic and Addressing Tools	LumenID, LumentalkID

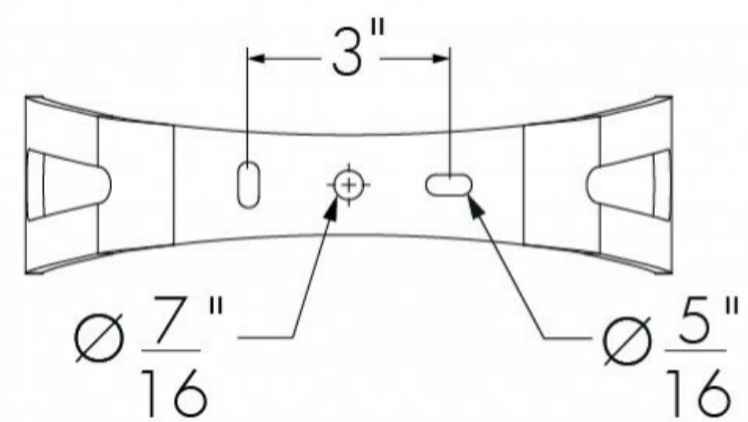
Mounting options

SY - Short yoke

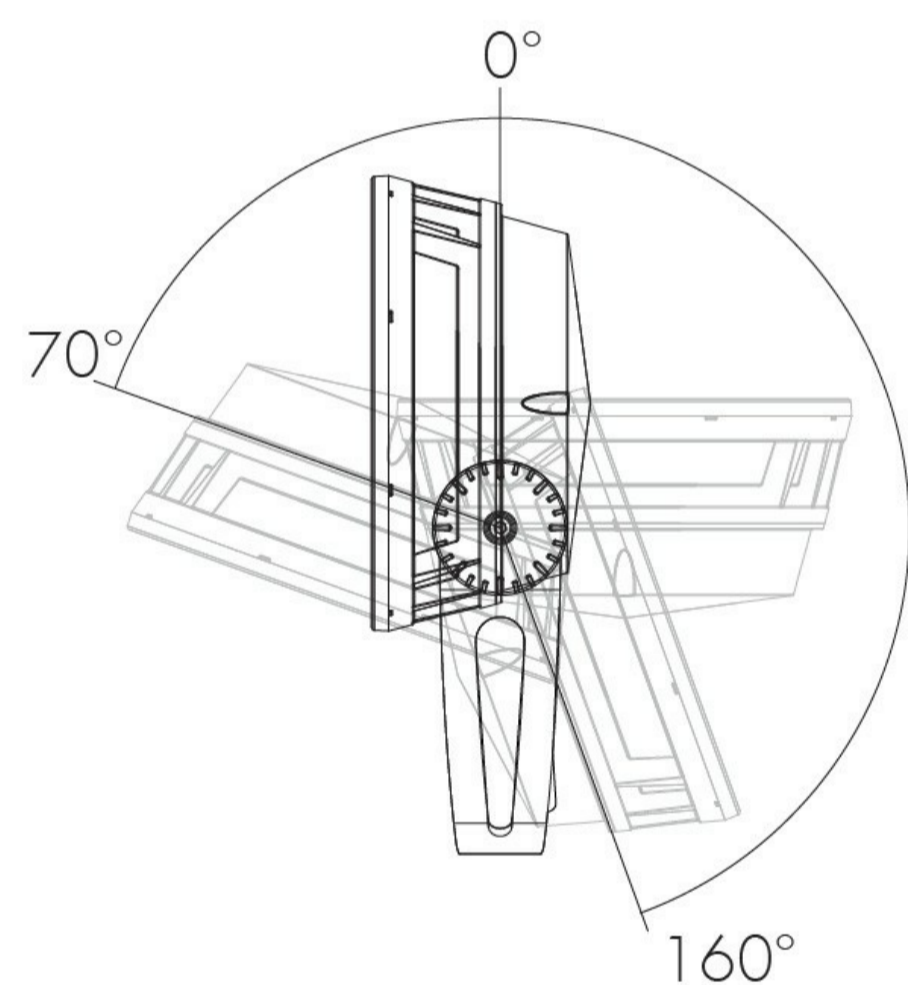


Mounting details

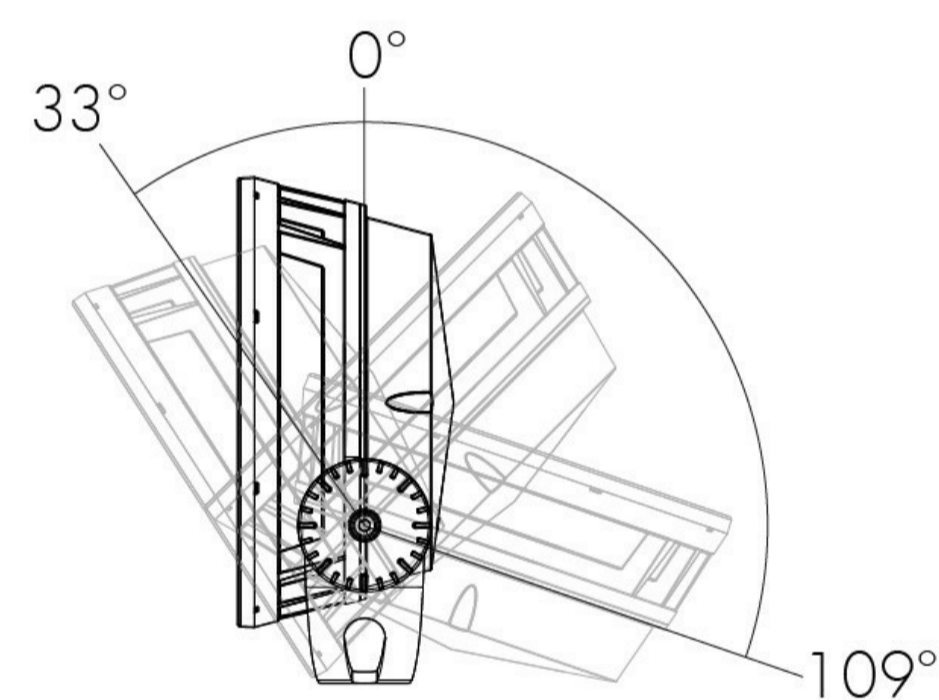
Mounting hole pattern - standard and short yoke



Adjustable pivot limits



Standard yoke

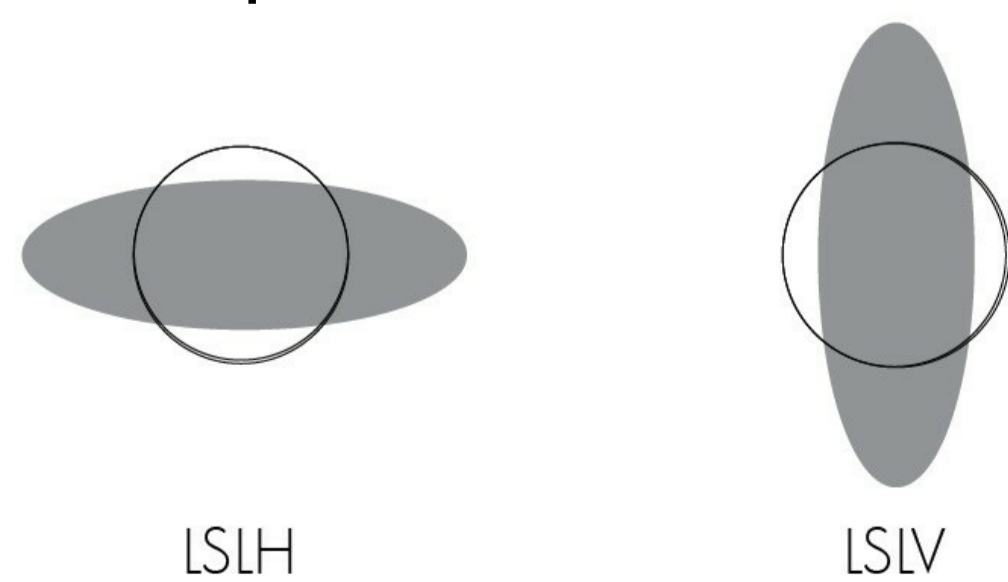


Short yoke

Optical options

LSLH - Linear spread lens horizontal distribution

LSLV - Linear spread lens vertical distribution

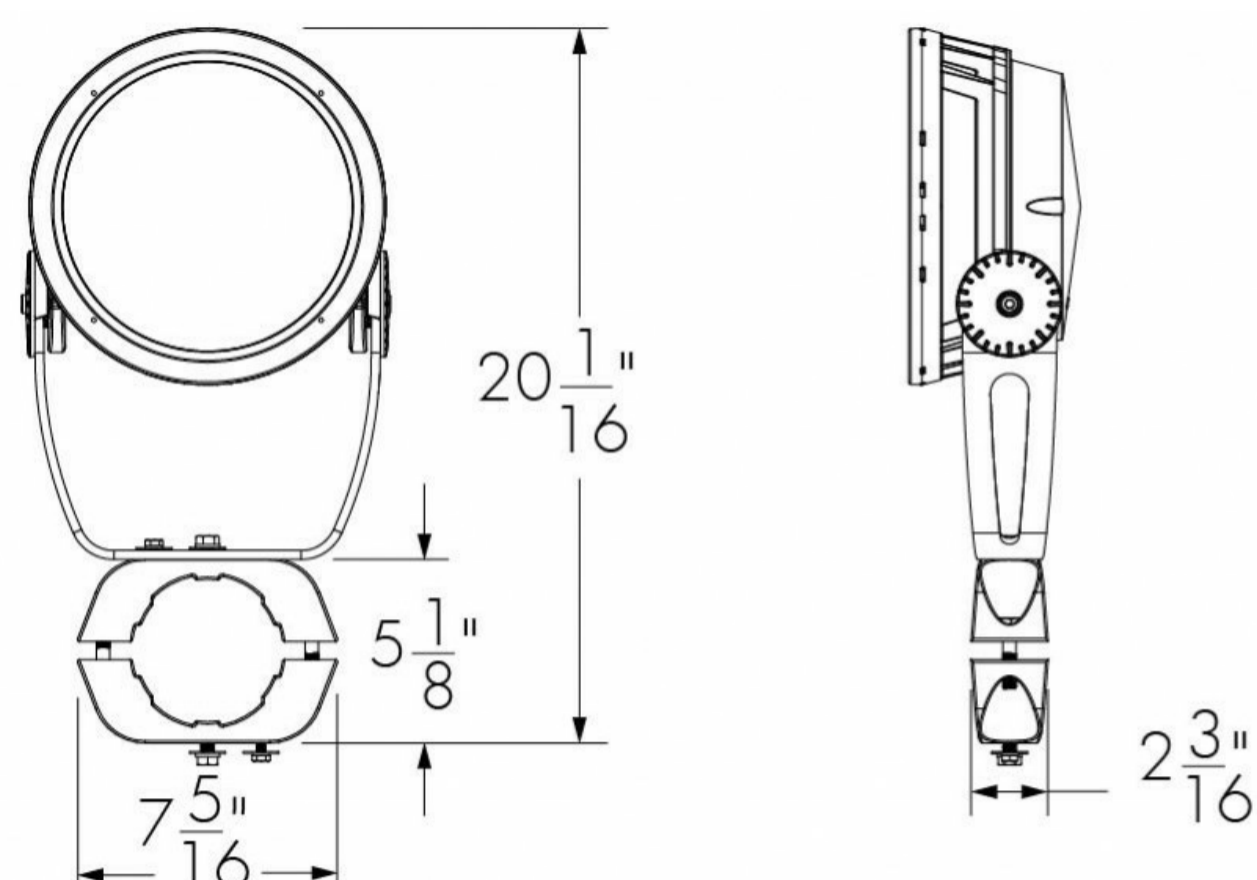


	Beam angle with LSLH/LSLV
VN	8° x 60°
NS	9° x 60°
NF	18° x 65°
FL	32° x 72°

Factory installed, not adjustable on site. Not available for WFL optic.
See 'Optical Accessories' section for field adjustable spread lens (LSLA).

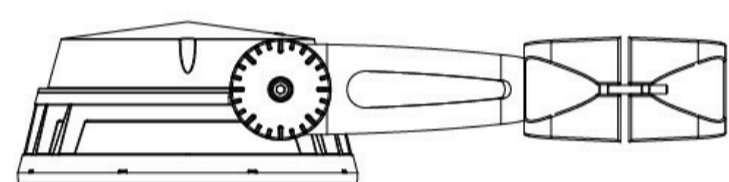
Mounting accessories (order separately)

Round pole mounting accessory

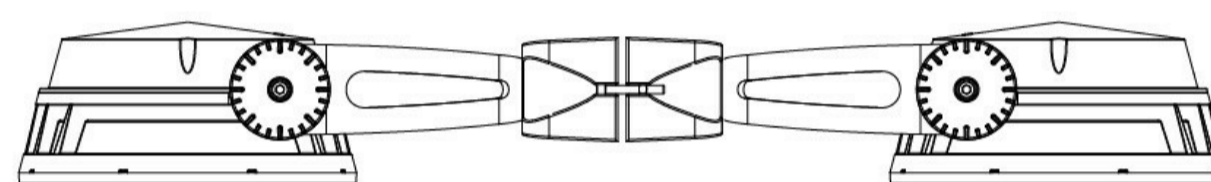


PM4 model shown.

Consult factory for square pole section.



PM4-1, PM4.5-1, PM5-1 - Round pole mounting accessory - single fixture

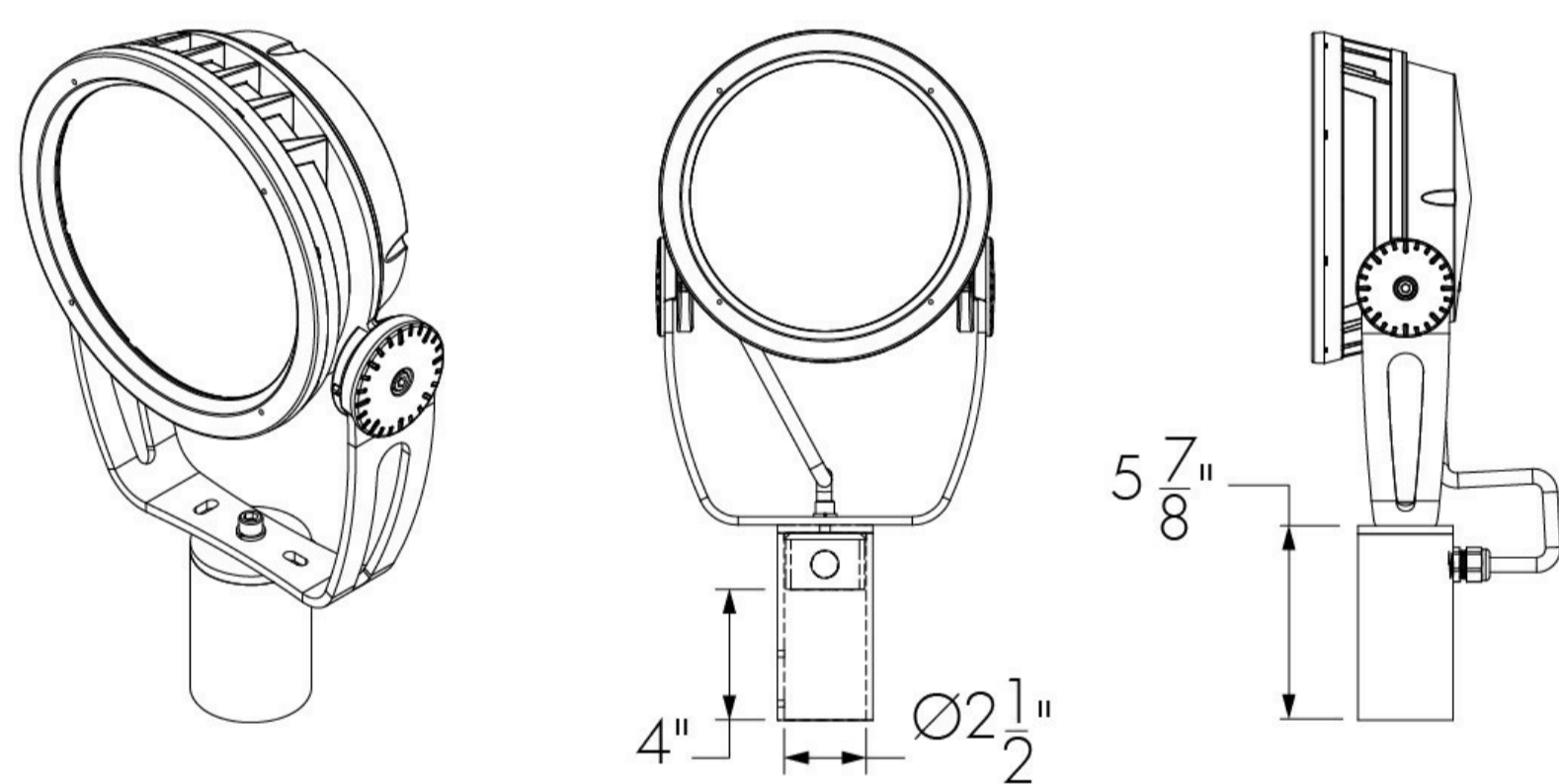


PM4-2, PM4.5-2, PM5-2 - Round pole mounting accessory - twin fixtures
*One bracket assembly is supplied per 2 fixtures unless otherwise specified.

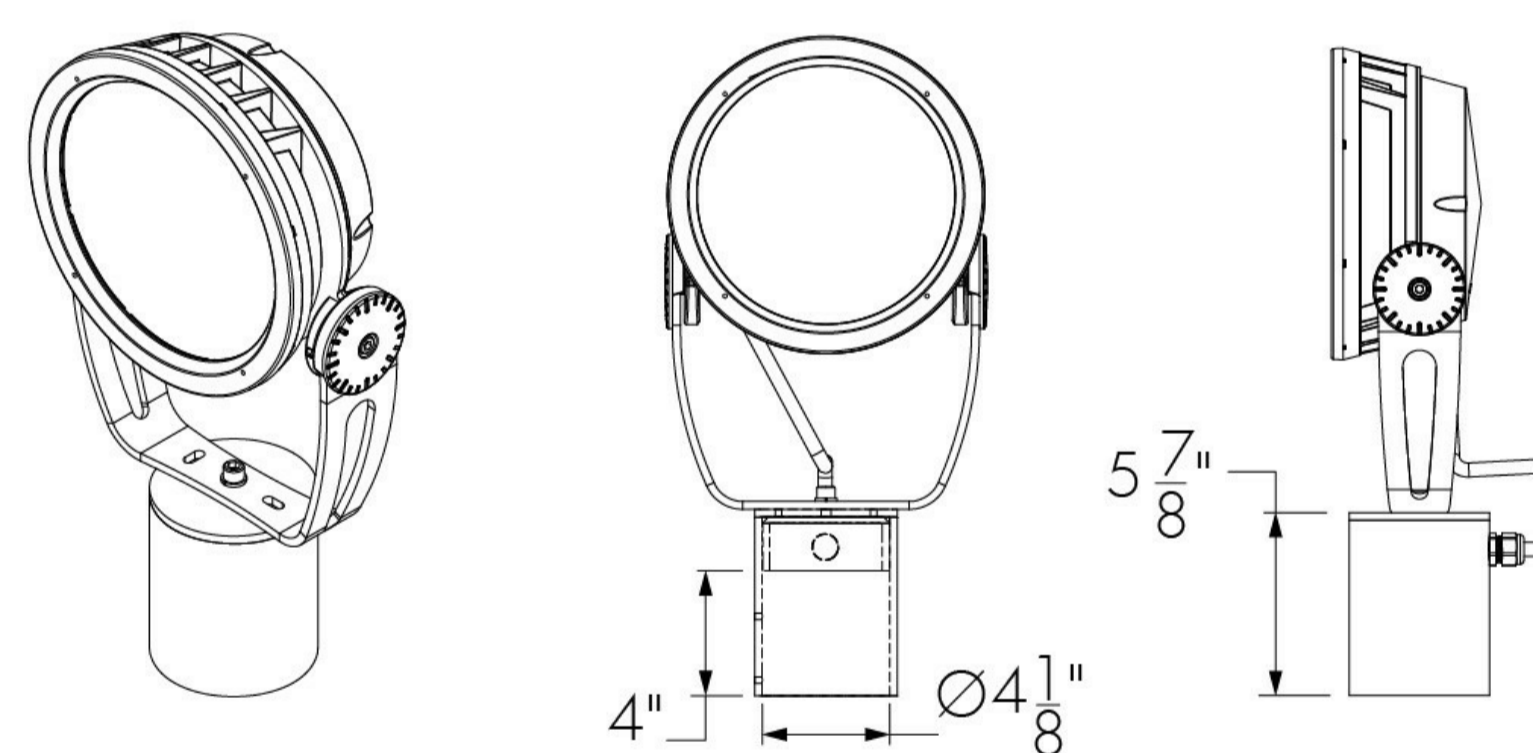
	PM4	PM4.5	PM5
For pole Ø	4" ± 1/16"	4.5" ± 1/16"	5" ± 1/16"

Consult factory for other pole diameters.

Tenon adapter



TN2 - Tenon adapter to fit on 2 3/8 in O.D. tenon

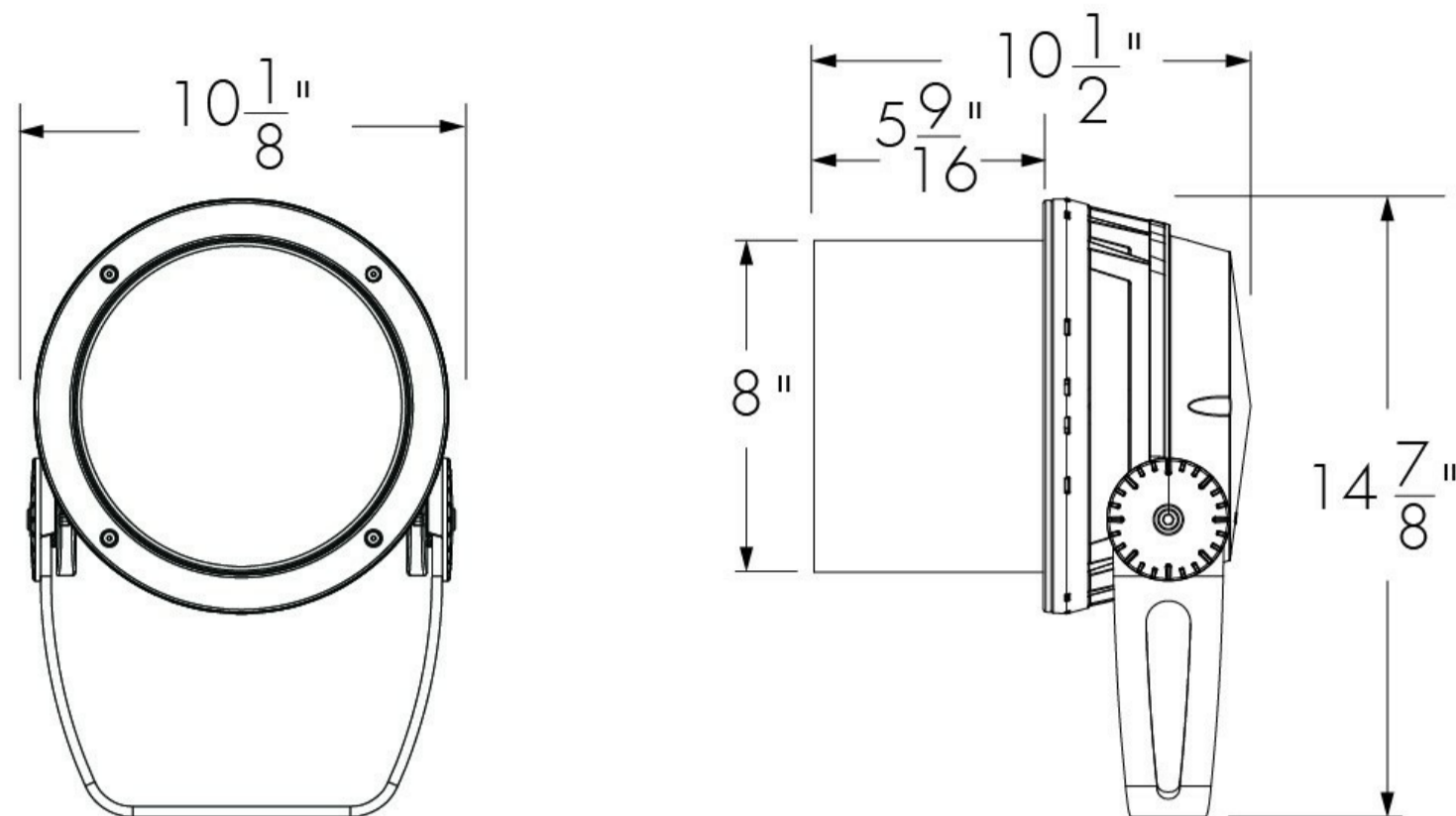


TN4 - Tenon adapter to fit on 4 in O.D. tenon

Optical accessories (order separately)

Installed optical accessories will affect the maximum pivot limits for each mounting option, consult factory for details.

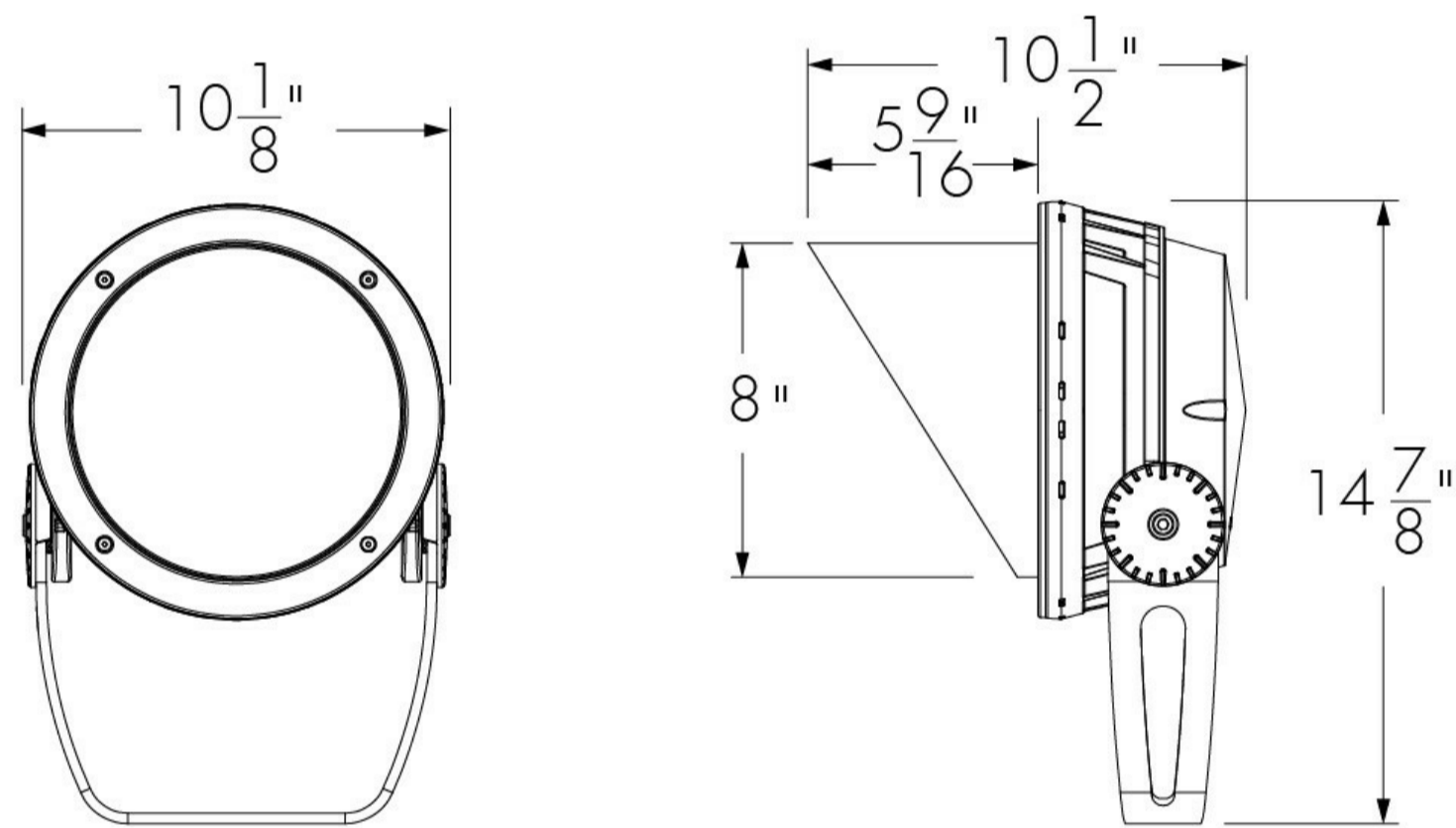
SN - Snoot



LBLSN-FINISH-BK

Interior surface painted black. Please specify desired exterior FINISH from list of available finishes.

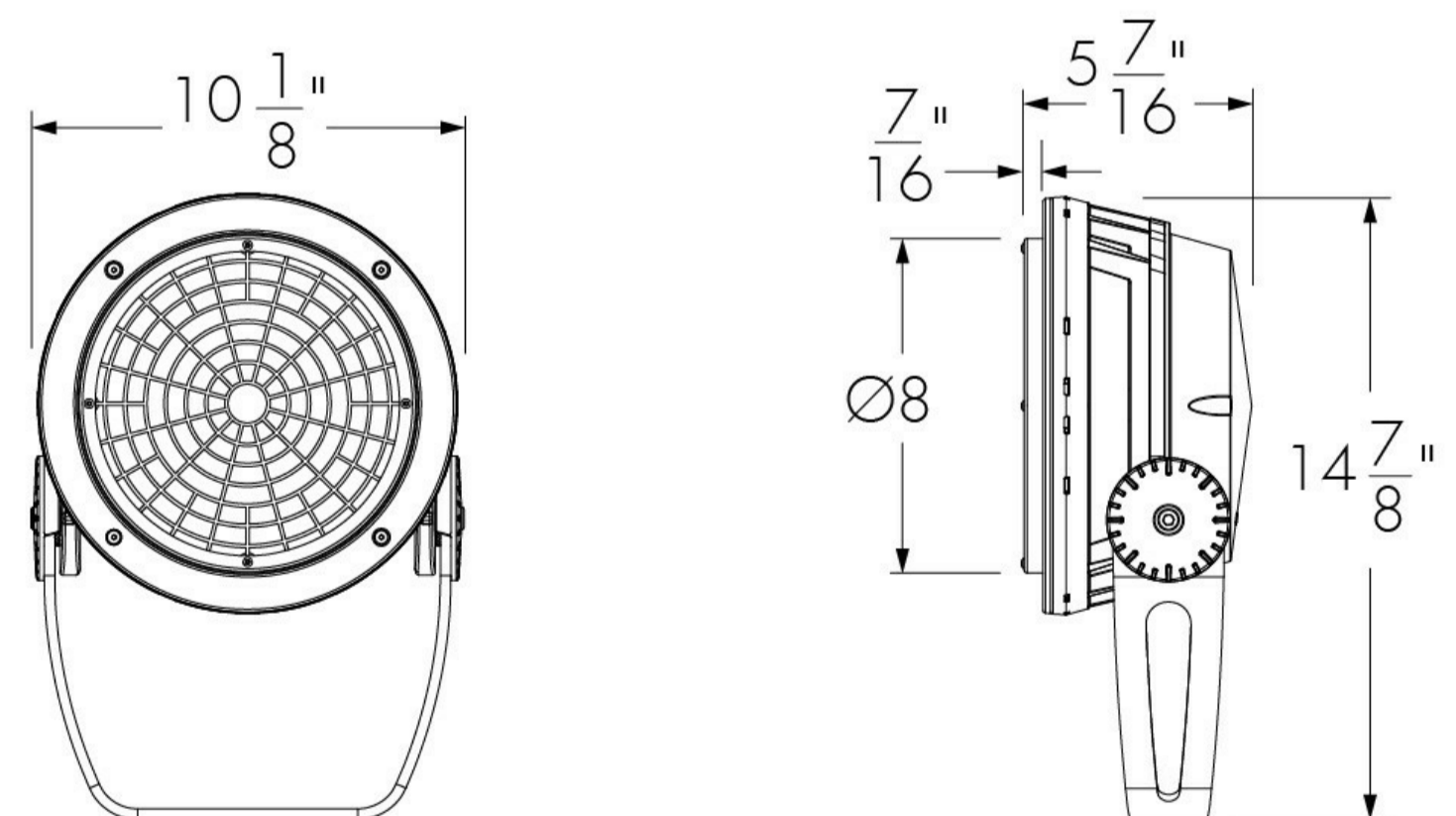
VS - Visor



LBLVS-FINISH-BK

Interior surface painted black. Please specify desired exterior FINISH from list of available finishes.

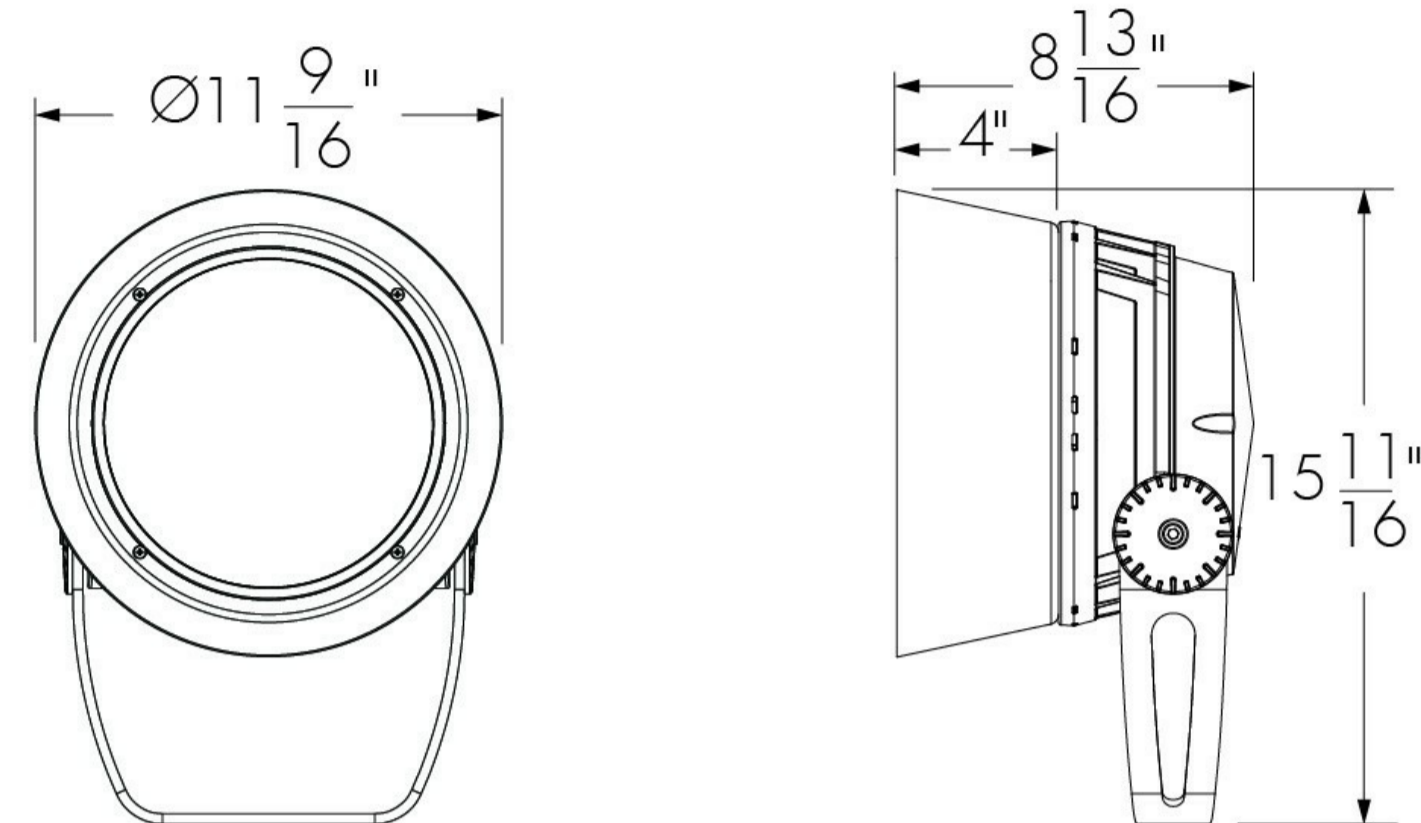
WG - Wire guard



LBLWG-FINISH

Please specify desired exterior FINISH from list of available finishes.

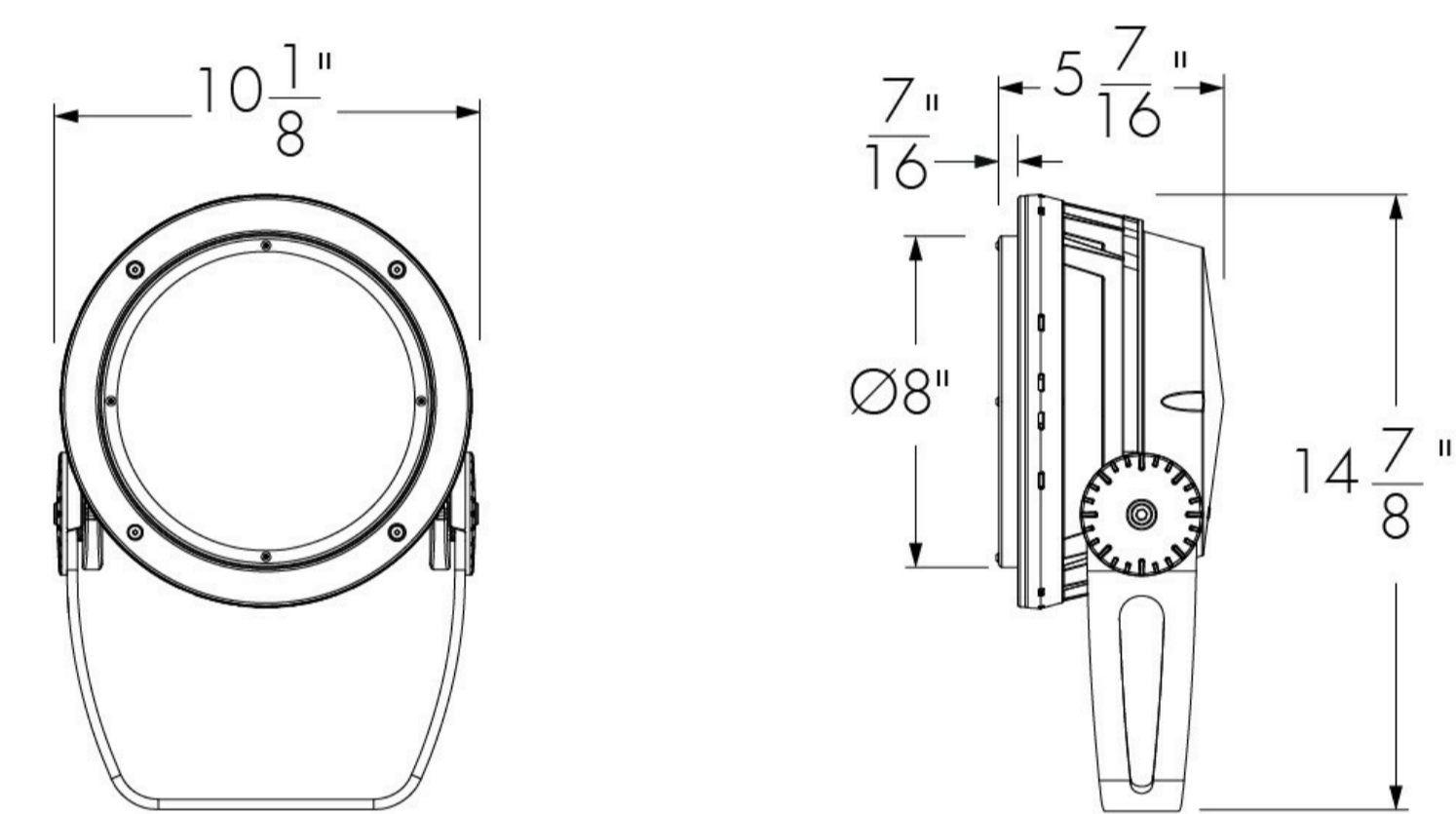
SNW - Snoot wide



LBLSNW-FINISH-BK

Interior surface painted black. Please specify desired exterior FINISH from list of available finishes.

LSLA - Linear spread lens adjustable



LBLSLA-FINISH

Please specify desired exterior FINISH from list of available finishes.

Accessory combinations

	+	Snoot	Snoot wide	Visor
Linear spread lens adjustable		YES	NO*	YES
Wire guard		YES	NO	YES

Accessory combinations must be ordered together on a single line

Ex: A snoot + wire guard combination order code is LBLSNWG-BK-BK.

*Consult factory for a linear spread lens adjustable + snoot wide combination.

Available exterior finishes for optical accessories

BK - Black Sandtex®

BRZ - Bronze Sandtex®

SI - Silver Sandtex®

WH - Smooth white

BKTX - Textured black

BRZTX - Textured bronze, non-metallic

GRATX - Textured medium gray

GRNTX - Textured green

WHTX - Textured white

CC - Custom color and finish (please specify RAL color)*

*Lumenpulse offers a wide selection of RAL CLASSIC (K7) colors with a smooth texture and high-gloss finish. Please consult factory for a list of available K7 colors, other RAL textures and glosses, or to match alternate color charts. Final color matching results may vary.

How to order

1	2	3	4	5	6	7	8
LBL							
9	10						

1 . Housing

LBL Lumenbeam™ Large

2 . Voltage

100 100 volts
120 120 volts
208 208 volts
220 220 volts
240 240 volts
277 277 volts

3 . Color and Color Temperature ⁽¹⁾

22K 2200K
27K 2700K
30K 3000K
35K 3500K
40K 4000K
57K 5700K
RD Red
GR Green
BL Blue

4 . Optics

VN Very Narrow 6°
NS Narrow Spot 10°
NF Narrow Flood 20°
FL Flood 40°
WFL Wide Flood 60°

5 . Optical Option

LSLH Linear spread lens horizontal distribution ⁽²⁾
LSLV Linear spread lens vertical distribution ⁽²⁾

6 . Finish

BK Black Sandtex®
BRZ Bronze Sandtex®
SI Silver Sandtex®
WH Smooth white
BKTX Textured black
BRZTX Textured bronze non-metallic
GRATX Textured medium gray
GRNTX Textured green
WHTX Textured white
CC Custom color and finish (please specify RAL color) ⁽³⁾

7 . Control

NO On/Off control
LT Lumentalk ⁽⁴⁾
DIM 0-10V dimming
DALI DALI dimming
ES Lutron® EcoSystem® Enabled dimming
DMX/RDM DMX/RDM enabled

8 . Options

SY Short Yoke
3GV 3G ANSI C136.31 Vibration Rating for bridge applications
CRC Corrosion-resistant coating for hostile environments ⁽⁵⁾

9 . Certification

UL	UL compliant
CE	CE compliant

10 . Cable Length ⁽⁶⁾

3FT	3 ft ⁽⁶⁾ ⁽⁷⁾
10FT	10 ft
20FT	20 ft
30FT	30 ft
50FT	50 ft
70FT	70 ft
100FT	100 ft

Notes:

⁽¹⁾ Consult factory for availability of static Royal Blue, 6500K and 90+ CRI.

⁽²⁾ Factory installed, not available for 60° optic. Field adjustable spread lens optical accessory available, order separately.

⁽³⁾ Lumenpulse offers a wide selection of RAL CLASSIC (K7) colors with a smooth texture and high-gloss finish. Please consult factory for a list of available K7 colors, other RAL textures and glosses, or to match alternate color charts. Final color matching results may vary.

⁽⁴⁾ A Lumentranslator and LumentalkID (LIDLIT) must be specified for Lumentalk applications. Consult Lumentranslator and Lumentalk pages and specification sheets for details.

⁽⁵⁾ Use only when exposed to salt spray and harsh chemicals. This option is not required for normal outdoor exposure.

⁽⁶⁾ 3 ft cable length is standard unless otherwise specified.

⁽⁷⁾ Maximum of 3 ft cable length for daisy chain DMX applications with CBX-DS.