

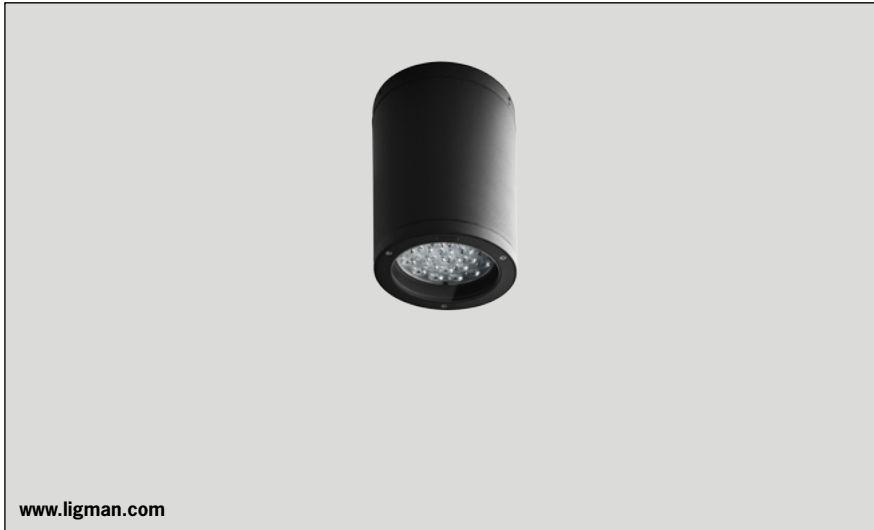
Tango 5

Surface exterior downlight

TA-80401
IP65 · CLASS I · CE



Project :	Location :	Type :	Quantity :
Note :			



Application

A range of cylindrical and square shape mounted exterior downlight luminaires. The luminaires are suitable for indoor and outdoor applications for use in residential, shopping and public areas as surface ceiling downlights. The luminaires have features such as long life, limited maintenance and constant lifetime performance.

Description

The luminaire is rated as class I with the high power LED integral driver. Low copper content die-cast aluminium housing with a chemical chromated protection before powder coating, ensuring high corrosion resistance. Stainless steel screws. Power is provided to the luminaire through water tight single cable gland. Durable silicone rubber gasket and clear toughened glass.

Ordering guide sample

TA-80401 - W - W40 - A80181	Colour Temperature W30 – Warm white 3000K W40 – Neutral white 4000K				
<table border="1"> <tr> <th>Model No</th> <th>Beam</th> <th>Colour</th> <th>Accessory</th> </tr> </table>	Model No	Beam	Colour	Accessory	
Model No	Beam	Colour	Accessory		

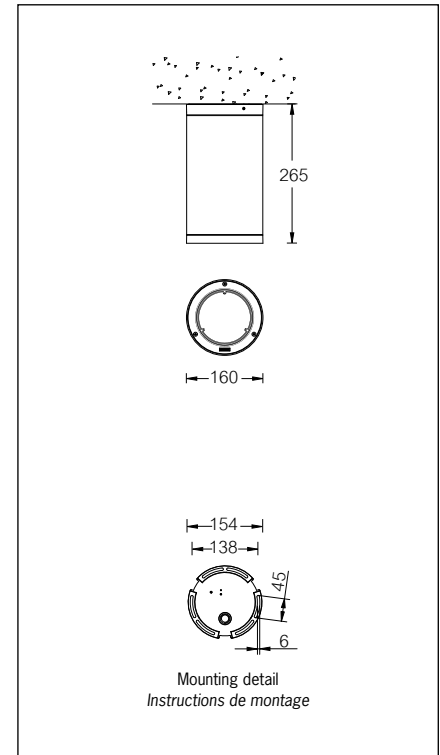
Product Code

Model No.	Lamp	System Power W	Lumen lm	EEC	Colour	Beam Angle	Weight kg	Dimmable
TA-80401 - N - W30	18 LED	30	1917	A+	3000K	14°	3.1	•
TA-80401 - M - W30	18 LED	30	1895	A+	3000K	24°	3.1	•
TA-80401 - W - W30	18 LED	30	1822	A+	3000K	40°	3.1	•
TA-80401 - N - W40	18 LED	30	1943	A+	4000K	14°	3.1	•
TA-80401 - M - W40	18 LED	30	2072	A+	4000K	24°	3.1	•
TA-80401 - W - W40	18 LED	30	1933	A+	4000K	40°	3.1	•

Accessory



Mounting ring for semi-recessed installation (A80181)



Colour Code

- 01	- 02	- 03	- 04	- 05	
Black RAL 9011	Dark Grey RAL 7043	White RAL 9003	Metalic Silver RAL 9006	Matt Silver RAL 9006	RESET

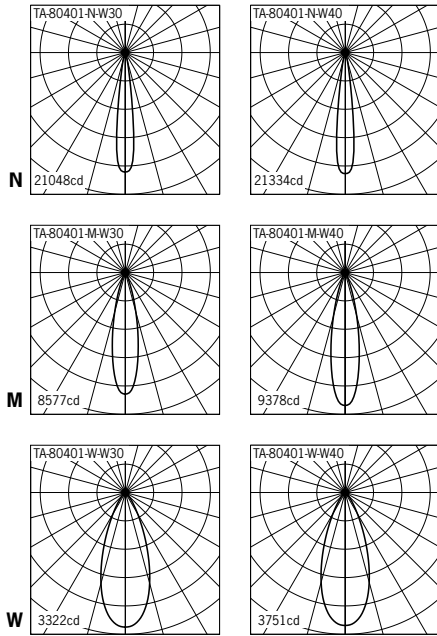
Tango 5

Surface exterior downlight

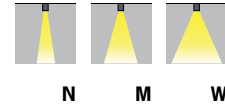
TA-80401
IP65 · CLASS I · CE



Photometric



Light symbol



• Installation manual available online at www.ligman.com.
• Luminous flux and system power are rated from absolute photometry according to LM-79-08 standard for LED luminaire.
• Photometric diagram for standard non-accessory, please consult the factory in case accessory option.