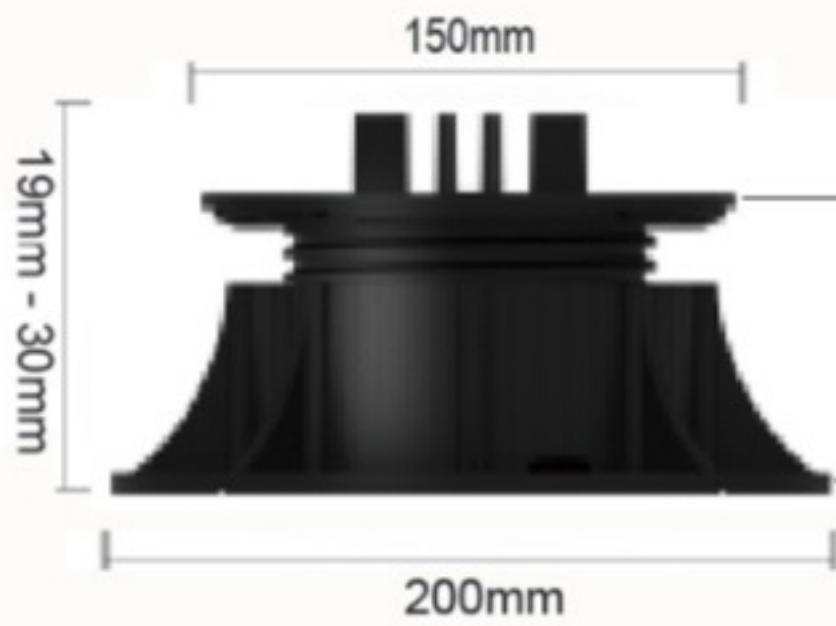
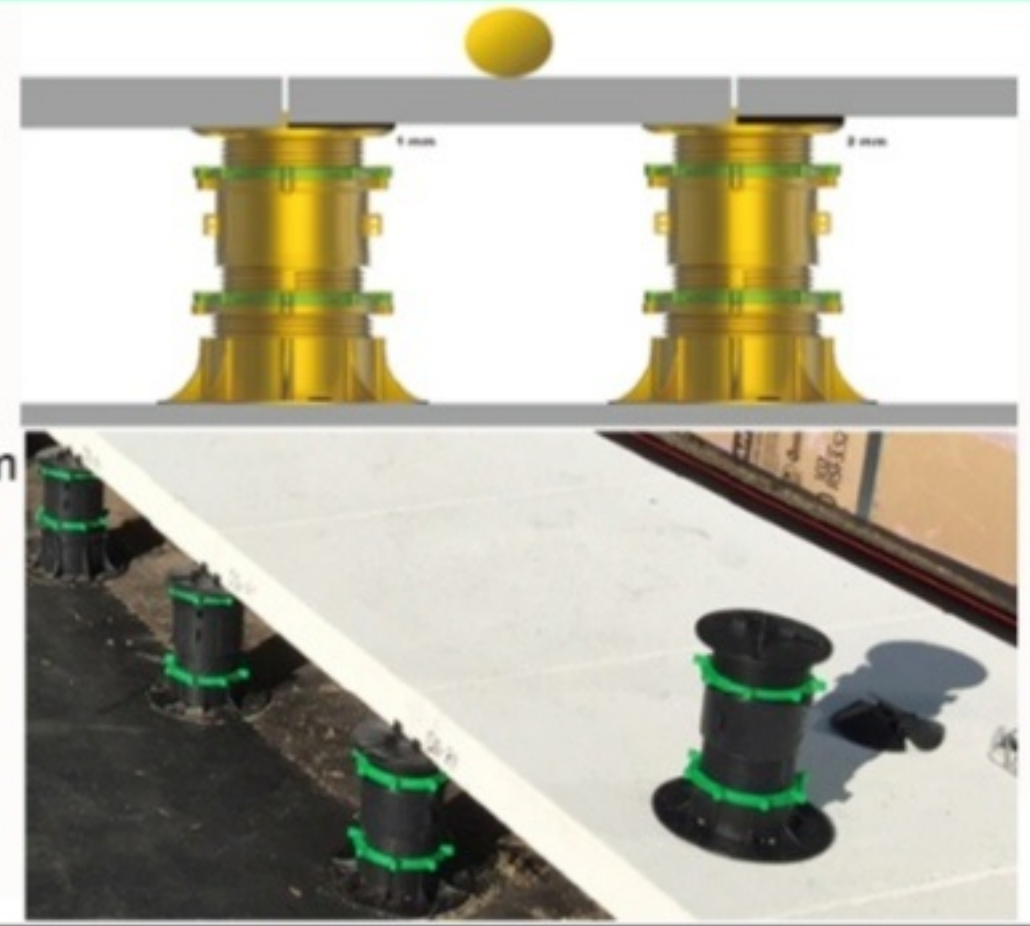


# Adjustable paver pedestal



Head part, Dia.150mm, with swivel spacer tabs 2mm/3.5mm/5mm/8mm/10mm

Base, Dia.200mm, with drainage holes



## Adjustable Height

Adjustable height from 19mm to 30mm uninterrupted

## Composition

1 head + 1 base + 1 spacer tab + 1 shim

## Material

Polypropylene(PP), material thickness 4.5mm-6mm;  
Composition 90% PP, 10% talc, UV and black masterbatch  
100% recyclable

## Dimensions

Head=diameter 150mm - surface area 176 cm<sup>2</sup>  
Base=diameter 200mm - ground surface 315 cm<sup>2</sup>  
Extender=extender diameter 120mm - adjustable height

## Performance

Resisting UV rays, weather, sea salt and almost all chemicals.  
Temperature range: -40 degree celsius to +120 degree celsius.

## Application

Support for outdoor terraces with any kind of material: timber decking, stone, ceramic, composite material, metal, fiberglass grid... Can be placed on any stable substrate, also over insulation panels.

## Slope corrector from 0%-5%

Slope correctors could compensate ground fall 0%-5%, making ideal levelling surface. It is assembled on the bottom of pedestals. Clients could choose to use it or not with different installing condition.

## Application Details

1. Spacer tabs thickness: 2mm, 3.5mm, 5mm, 8mm, 10mm
2. Slope corrector : compensate slope 0%-5%
3. Shim: anti-slip, reduce impact, absorb shock and sound, compensate floor thickness difference



## Fix Collar:

Fix and lock height after adjustment, increase stability



Standard green color, Made in PP

## Shim:

anti-slip, reduce impact, absorb shock, compensate floor thickness difference



1mm / 2mm thickness

## Compression Test

Performed on the full (1/1), half (1/2) or quarter (1/4) surface of the head

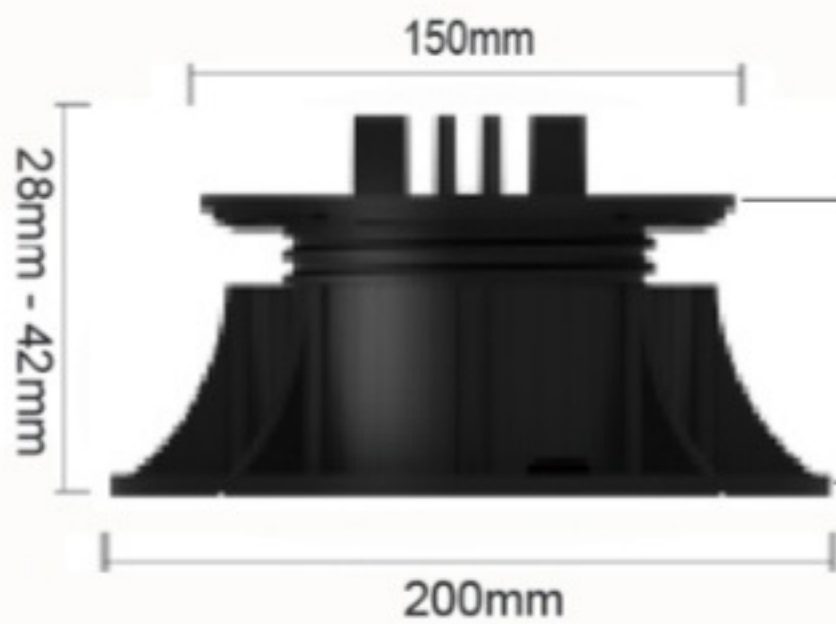
Position	Height(mm)	Breaking Loads(kgs)
1/1	25	1298
1/2	25	1089
1/4	25	995

Safety Value for maximum allowable load by compression for MB-T0-A:

1. Safety for pedestrian terrace: divide the load indicated in the table by 2 with a safety factor of -15%.
2. Safety for technical floors: divide the load indicated in the table by 4 with a safety factor of -15%.

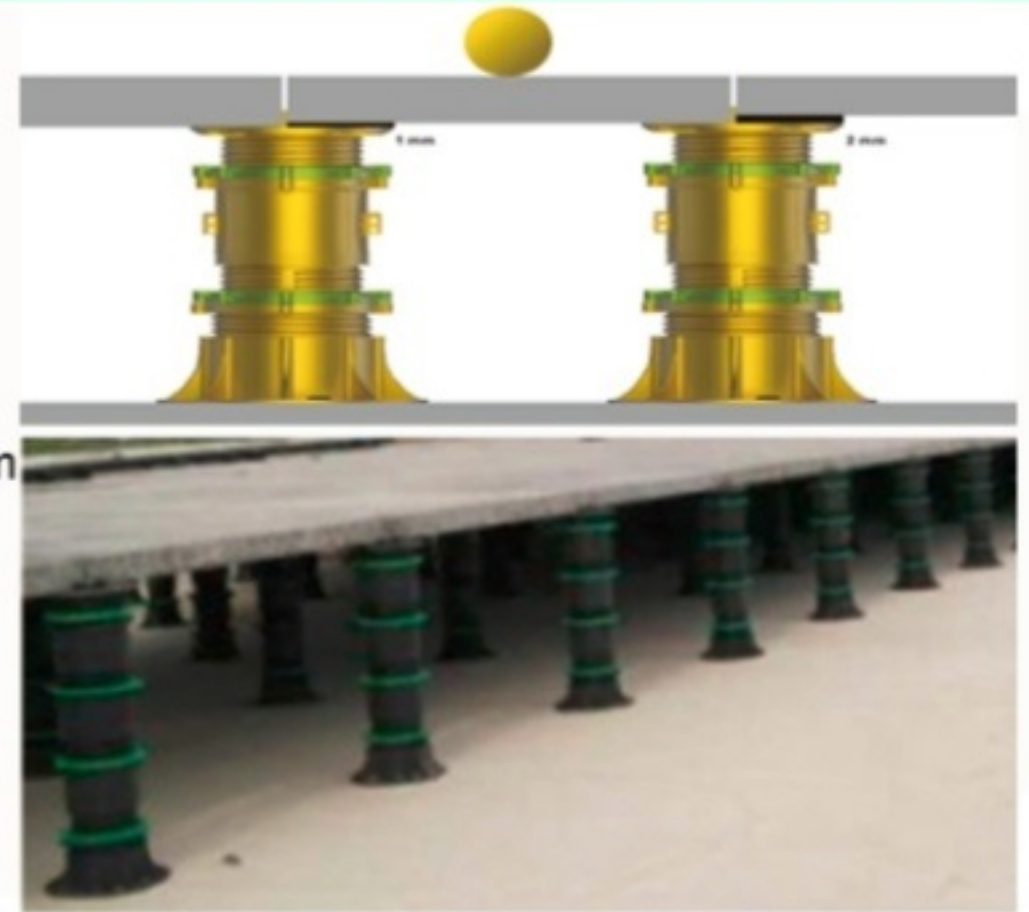


# Adjustable paver pedestal



Head part, Dia.150mm, with swivel spacer tabs 2mm/3.5mm/5mm/8mm/10mm

Base, Dia.200mm, with drainage holes



## Adjustable Height

Adjustable height from 28mm to 42mm uninterrupted

## Composition

1 head + 1 base + 1 spacer tab + 1 shim

## Material

Polypropylene(PP), material thickness 4.5mm-6mm;  
Composition 90% PP, 10% talc, UV and black masterbatch  
100% recyclable

## Dimensions

Head=diameter 150mm - surface area 176 cm<sup>2</sup>  
Base=diameter 200mm - ground surface 315 cm<sup>2</sup>  
Extender=extender diameter 120mm - adjustable height

## Performance

Resisting UV rays, weather, sea salt and almost all chemicals.  
Temperature range: -40 degree celsius to +120 degree celsius.

## Application

Support for outdoor terraces with any kind of material: timber decking, stone, ceramic, composite material, metal, fiberglass grid... Can be placed on any stable substrate, also over insulation panels.

## Slope corrector from 0%-5%

Slope correctors could compensate ground fall 0%-5%, making ideal levelling surface. It is assembled on the bottom of pedestals. Clients could choose to use it or not with different installing condition.

## Application Details

1. Spacer tabs thickness: 2mm, 3.5mm, 5mm, 8mm, 10mm
2. Slope corrector : compensate slope 0%-5%
3. Shim: anti-slip, reduce impact, absorb shock and sound, compensate floor thickness difference



## Fix Collar:

Fix and lock height after adjustment, increase stability



Standard green color, Made in PP

## Shim:

anti-slip, reduce impact, absorb shock, compensate floor thickness difference



1mm / 2mm thickness

## Compression Test

Performed on the full (1/1), half (1/2) or quarter (1/4) surface of the head

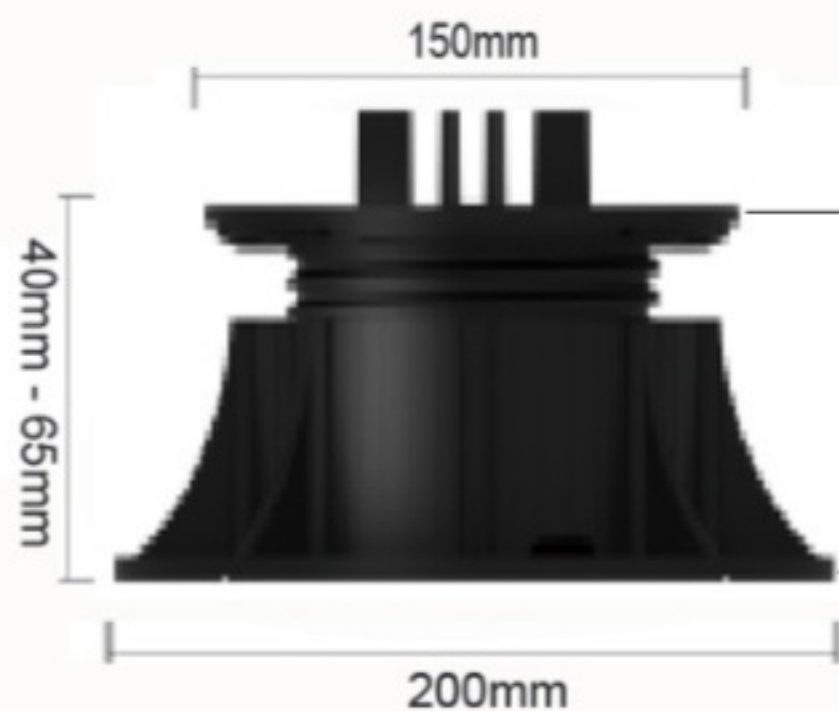
Position	Height(mm)	Breaking Loads(kgs)
1/1	35	1250
1/2	35	1060
1/4	35	965

Safety Value for maximum allowable load by compression for MB-T0-B:

1. Safety for pedestrian terrace: divide the load indicated in the table by 2 with a safety factor of -15%.
2. Safety for technical floors: divide the load indicated in the table by 4 with a safety factor of -15%.

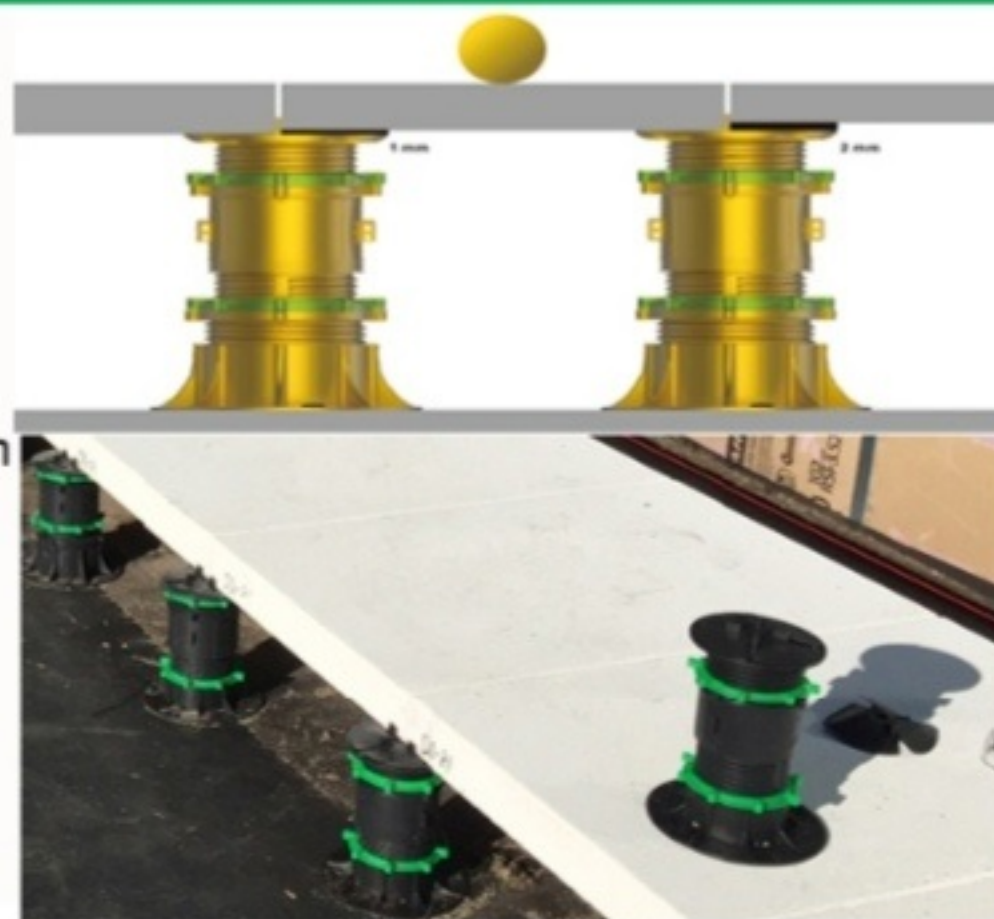


# Adjustable paver pedestal



Head part, Dia.150mm, with swivel spacer tabs 2mm/3.5mm/5mm/8mm/10mm

Base, Dia.200mm, with drainage holes



## Adjustable Height

Adjustable height from 40mm to 65mm uninterrupted

## Composition

1 head + 1 base + 1 spacer tab + 1 shim

## Material

Polypropylene(PP), material thickness 4.5mm-6mm;  
Composition 90% PP, 10% talc, UV and black masterbatch  
100% recyclable

## Dimensions

Head=diameter 150mm - surface area 176 cm<sup>2</sup>  
Base=diameter 200mm - ground surface 315 cm<sup>2</sup>  
Extender=extender diameter 120mm - adjustable height

## Performance

Resisting UV rays, weather, sea salt and almost all chemicals.  
Temperature range: -40 degree celsius to +120 degree celsius.

## Application

Support for outdoor terraces with any kind of material: timber decking, stone, ceramic, composite material, metal, fiberglass grid... Can be placed on any stable substrate, also over insulation panels.

## Slope corrector from 0%-5%

Slope correctors could compensate ground fall 0%-5%, making ideal levelling surface. It is assembled on the bottom of pedestals. Clients could choose to use it or not with different installing condition.

## Application Details

1. Spacer tabs thickness: 2mm, 3.5mm, 5mm, 8mm, 10mm
2. Slope corrector : compensate slope 0%-5%
3. Shim: anti-slip, reduce impact, absorb shock and sound, compensate floor thickness difference



## Fix Collar:

Fix and lock height after adjustment, increase stability



Standard green color, Made in PP

## Shim:

anti-slip, reduce impact, absorb shock, compensate floor thickness difference



1mm / 2mm thickness

## Compression Test

Performed on the full (1/1), half (1/2) or quarter (1/4) surface of the head

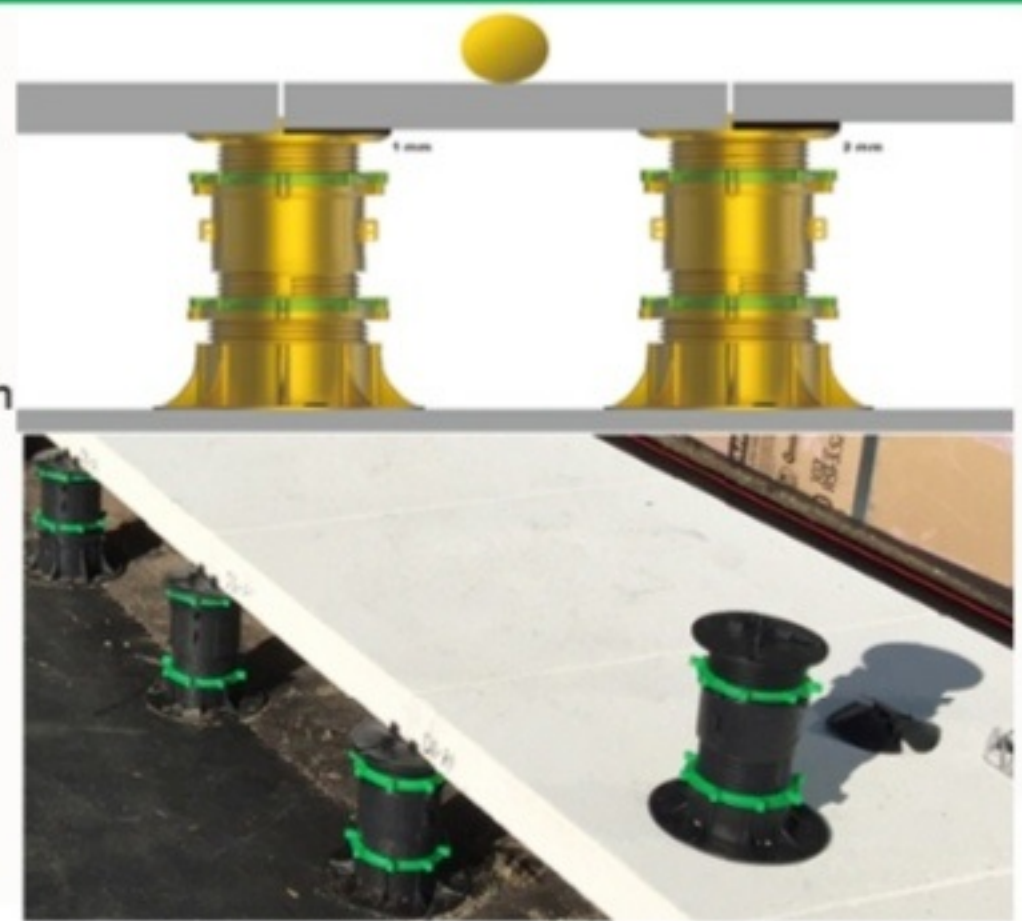
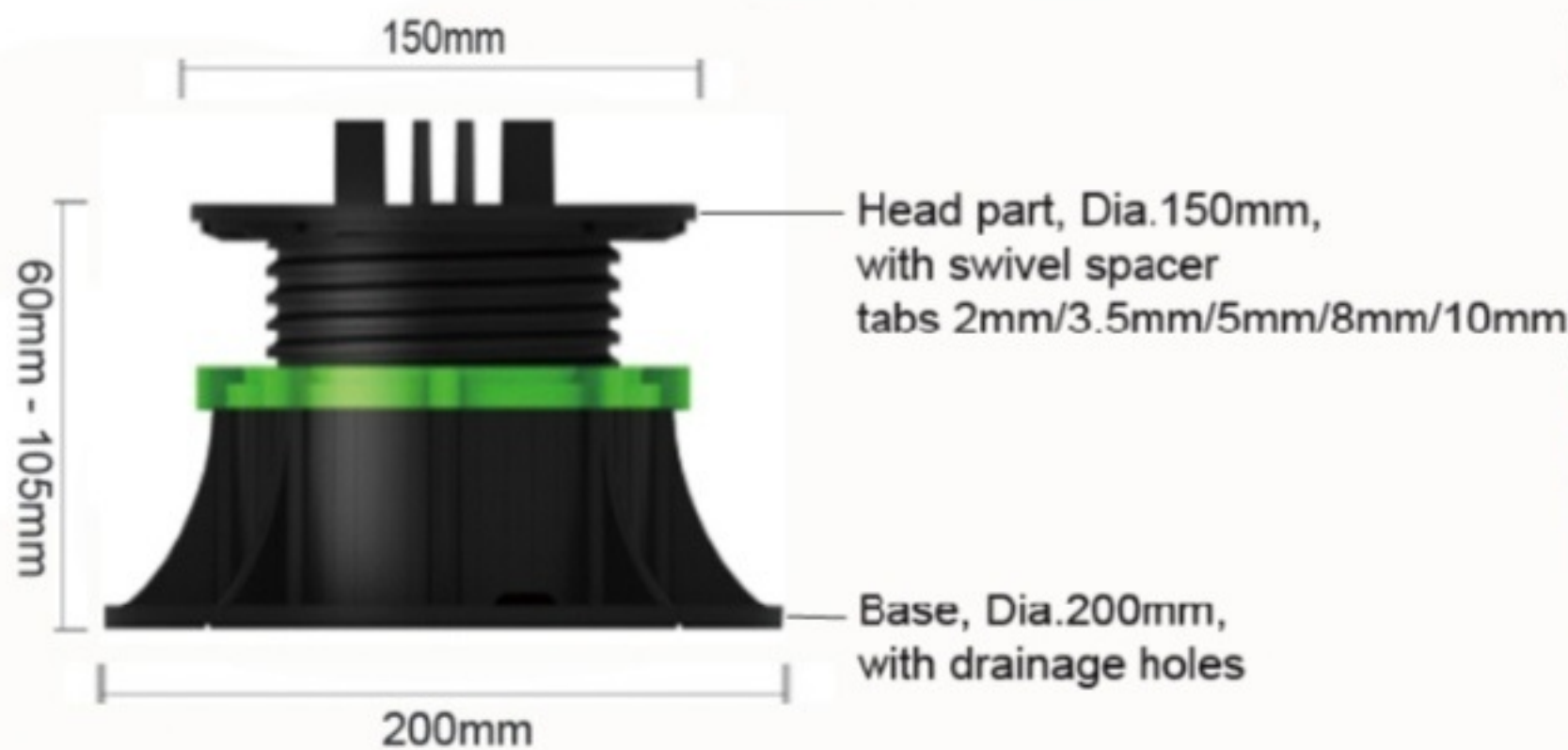
Position	Height(mm)	Breaking Loads(kgs)
1/1	50	1325
1/2	50	1136
1/4	50	925

Safety Value for maximum allowable load by compression for MB-T0-C:

1. Safety for pedestrian terrace: divide the load indicated in the table by 2 with a safety factor of -15%.
2. Safety for technical floors: divide the load indicated in the table by 4 with a safety factor of -15%.



# Adjustable paver pedestal



## Adjustable Height

Adjustable height from 60mm to 105mm uninterrupted

## Composition

1 head + 1 base + 1 fix collar + 1 spacer tab + 1 shim

## Material

Polypropylene(PP), material thickness 4.5mm-6mm;  
Composition 90% PP, 10% talc, UV and black masterbatch  
100% recyclable

## Dimensions

Head=diameter 150mm - surface area 176 cm<sup>2</sup>  
Base=diameter 200mm - ground surface 315 cm<sup>2</sup>  
Extender=extender diameter 120mm - adjustable height

## Performance

Resisting UV rays, weather, sea salt and almost all chemicals.  
Temperature range: -40 degree celsius to +120 degree celsius.

## Application

Support for outdoor terraces with any kind of material: timber decking, stone, ceramic, composite material, metal, fiberglass grid... Can be placed on any stable substrate, also over insulation panels.

## Slope corrector from 0%-5%

Slope correctors could compensate ground fall 0%-5%, making ideal levelling surface. It is assembled on the bottom of pedestals. Clients could choose to use it or not with different installing condition.

## Application Details

1. Spacer tabs thickness: 2mm, 3.5mm, 5mm, 8mm, 10mm
2. Slope corrector : compensate slope 0%-5%
3. Shim: anti-slip, reduce impact, absorb shock and sound, compensate floor thickness difference



## Fix Collar:

Fix and lock height after adjustment, increase stability



## Shim:

anti-slip, reduce impact, absorb shock, compensate floor thickness difference



## Compression Test

Performed on the full (1/1), half (1/2) or quarter (1/4) surface of the head

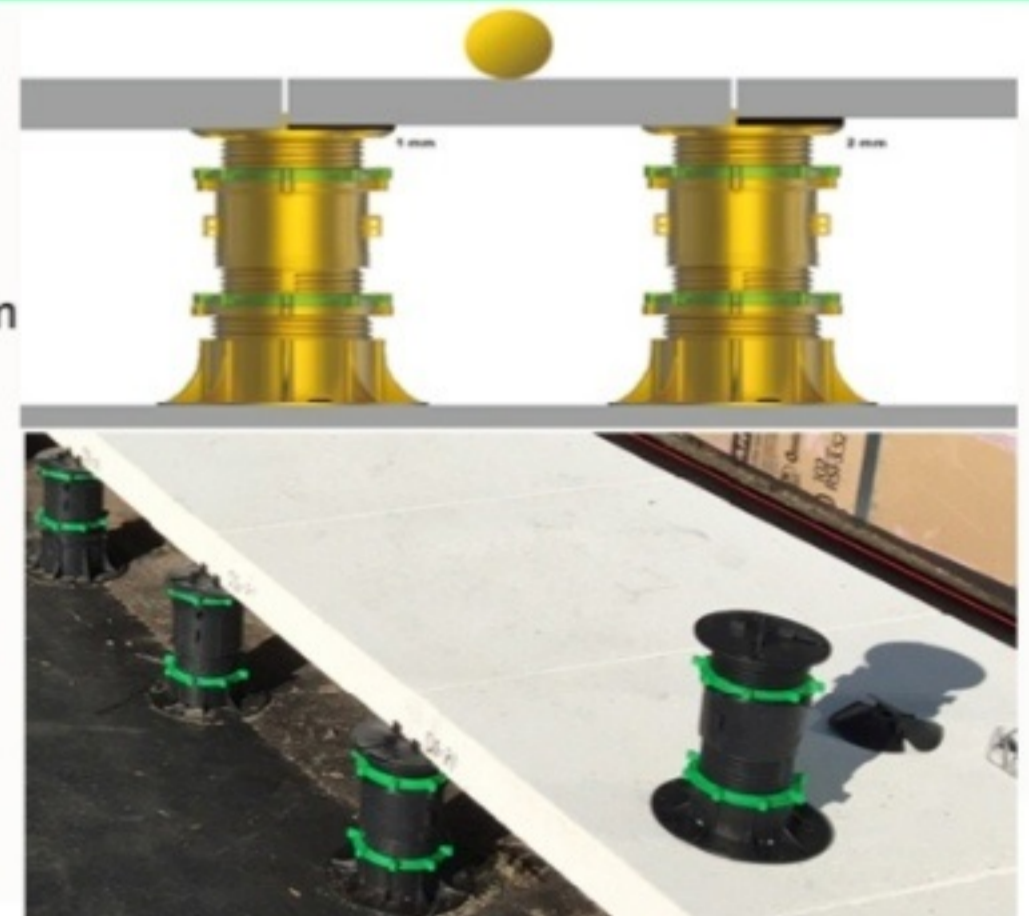
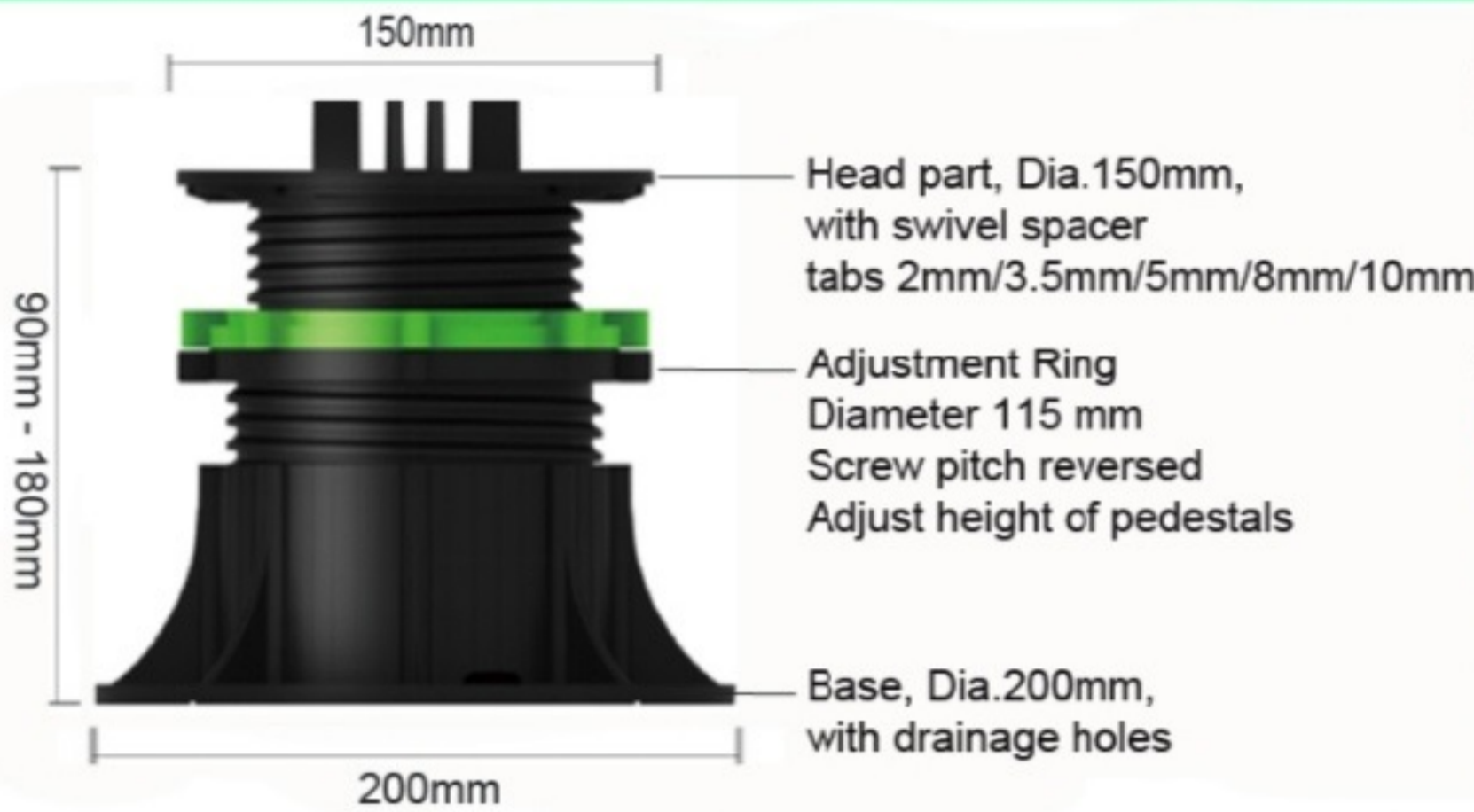
Position	Height(mm)	Breaking Loads(kgs)
1/1	80	1386
1/2	80	1298
1/4	80	970

Safety Value for maximum allowable load by compression for MB-T0-D:

1. Safety for pedestrian terrace: divide the load indicated in the table by 2 with a safety factor of -15%.
2. Safety for technical floors: divide the load indicated in the table by 4 with a safety factor of -15%.



# Adjustable paver pedestal



## Adjustable Height

Adjustable height from 90mm to 180mm uninterrupted

## Composition

1 head + 1 adjustment ring + 1 base + 1 fix collar + 1 spacer tab + 1 shim

## Material

Polypropylene(PP), material thickness 4.5mm-6mm;  
Composition 90% PP, 10% talc, UV and black masterbatch  
100% recyclable

## Dimensions

Head=diameter 150mm - surface area 176 cm<sup>2</sup>  
Base=diameter 200mm - ground surface 315 cm<sup>2</sup>  
Extender=extender diameter 120mm - adjustable height

## Performance

Resisting UV rays, weather, sea salt and almost all chemicals.  
Temperature range: -40 degree celsius to +120 degree celsius.

## Application

Support for outdoor terraces with any kind of material: timber decking, stone, ceramic, composite material, metal, fiberglass grid... Can be placed on any stable substrate, also over insulation panels.

## Slope corrector from 0%-5%

Slope correctors could compensate ground fall 0%-5%, making ideal levelling surface. It is assembled on the bottom of pedestals. Clients could choose to use it or not with different installing condition.

## Application Details

1. Spacer tabs thickness: 2mm, 3.5mm, 5mm, 8mm, 10mm
2. Slope corrector : compensate slope 0%-5%
3. Shim: anti-slip, reduce impact, absorb shock and sound, compensate floor thickness difference



## Fix Collar:

Fix and lock height after adjustment, increase stability



## Shim:

anti-slip, reduce impact, absorb shock, compensate floor thickness difference



## Compression Test

Performed on the full (1/1), half (1/2) or quarter (1/4) surface of the head

Position	Height(mm)	Breaking Loads(kgs)
1/1	120	1356
1/2	120	1150
1/4	120	968

Safety Value for maximum allowable load by compression for MB-T0-E:

1. Safety for pedestrian terrace: divide the load indicated in the table by 2 with a safety factor of -15%.
2. Safety for technical floors: divide the load indicated in the table by 4 with a safety factor of -15%.