



Approved by:

Date:

MODULARITY INC.

Shop 9, 10 & 11 Corner of Ayala and Makati Avenues,
The Peninsula Manila, Makati City, Philippines 1226
Tel: +632 812 3456 loc 3703 / 3707

www.scavolini.us

Client: RALPH AND TIFFANY LIM

Project: KITCHEN

Model: URBAN MINIMAL

Date: 07/20/2019

Code: RTLK012

Version: 1869

Designer: MJC

SCAVOLINI™



Approved by:

Date:

MODULARITY INC.

Shop 9, 10 & 11 Corner of Ayala and Makati Avenues,
The Peninsula Manila, Makati City, Philippines 1226
Tel: +632 812 3456 loc 3703 / 3707

www.scavolini.us

Client: RALPH AND TIFFANY LIM

Project: KITCHEN

Model: URBAN MINIMAL

Date: 07/20/2019

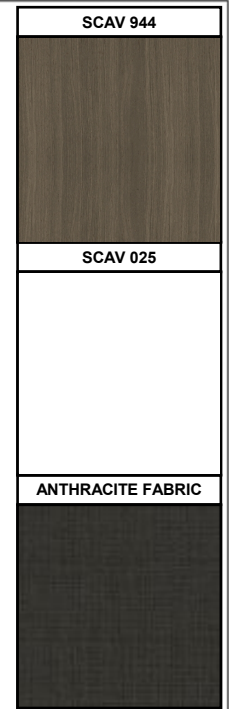
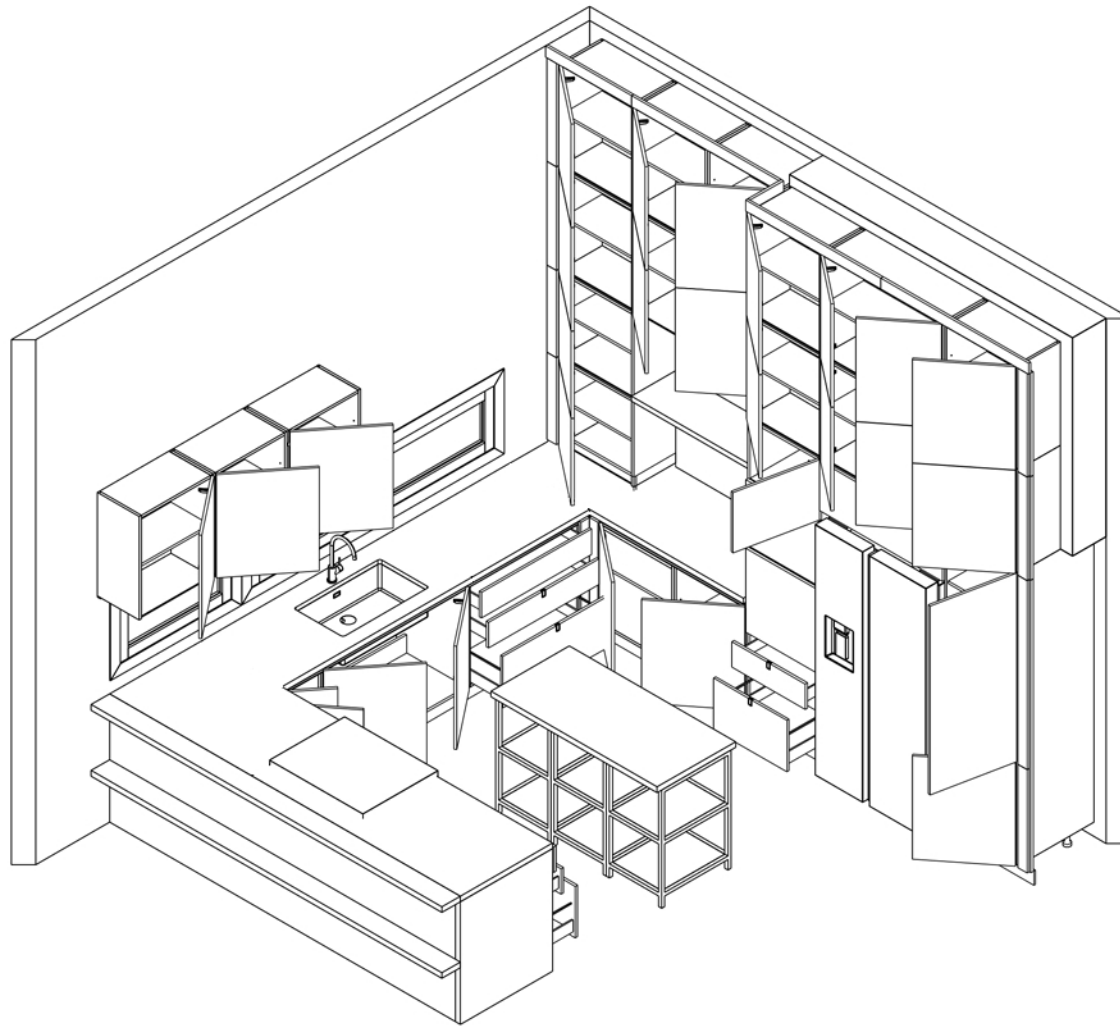
Code: RTLK012

Version: 1869

Designer: MJC

SCAVOLINI™

DESIGN SPECIFICATIONS	
Model	URBAN MINIMAL
Door for Base Units	DECOR IN WHITE SCAV 025
Door for Wall Units	DECOR IN WHITE SCAV025 DECOR IN TAJ EUCALYPTUS SCAV944
Door for Tall Units	DECOR IN TAJ EUCALYPTUS SCAV944
Carcase	ANTHRACITE FABRIC
Drawer Type	METAL 'TBOX'
Handle	SILVER GROOVE
Plinth	100MM PVC COVERED ALUMINUM STEEL
Worktop	N/A
Sink and Faucet	N/A
Inclusions	CABINETS, PANELS, CUTLERY INSERTS, NET XT LIGHT W/ TRANSFORMER AND WASTE BIN
Owner Supplied Materials	WORKTOP, BACKSPLASH, SUBSTRATE, SINK, FAUCET, APPLIANCES AND DECORATIVE ACCESSORIES
<p><i>The following images are merely graphical representations of the actual materials. Please refer to the sample materials.</i></p>	



AXONOMETRIC VIEW OF ELEVATION A & B

Approved by:

Date:

MODULARITY INC.

Shop 9, 10 & 11 Corner of Ayala and Makati Avenues,
The Peninsula Manila, Makati City, Philippines 1226
Tel: +632 812 3456 loc 3703 / 3707

www.scavolini.us

Client: RALPH AND TIFFANY LIM

Project: KITCHEN

Model: URBAN MINIMAL

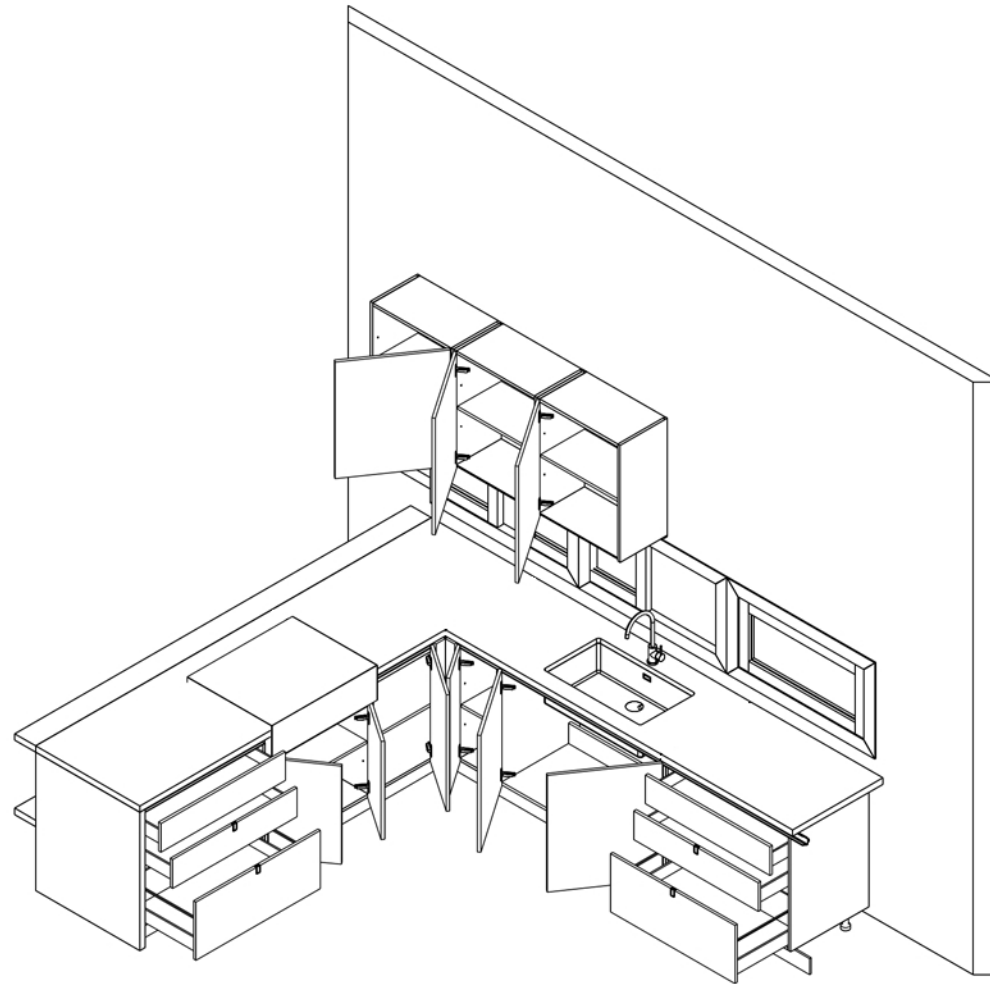
Date: 07/20/2019

Code: RTLK012

Version: 1869

Designer: MJC





AXONOMETRIC VIEW OF ELEVATION C

Approved by:

Date:

MODULARITY INC.

Shop 9, 10 & 11 Corner of Ayala and Makati Avenues,
The Peninsula Manila, Makati City, Philippines 1226
Tel: +632 812 3456 loc 3703 / 3707

www.scavolini.us

Client: RALPH AND TIFFANY LIM

Project: KITCHEN

Model: URBAN MINIMAL

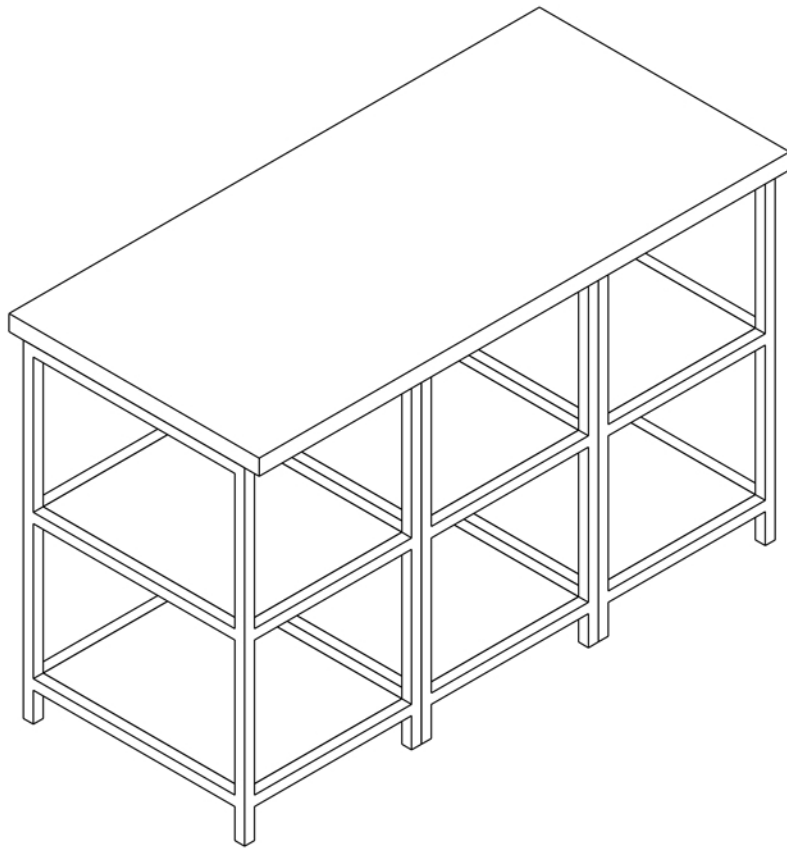
Date: 07/20/2019

Code: RTLK012

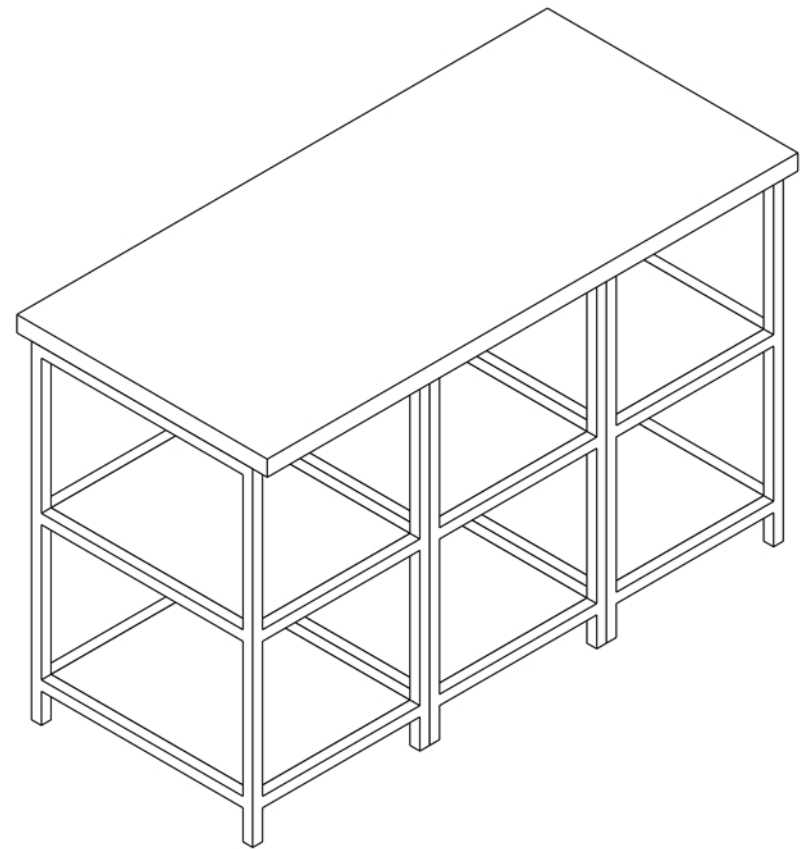
Version: 1869

Designer: MJC

SCAVOLINI™



AXONOMETRIC VIEW OF ELEVATION D & E



AXONOMETRIC VIEW OF ELEVATION F & G

Approved by:

Date:

MODULARITY INC.

Shop 9, 10 & 11 Corner of Ayala and Makati Avenues,
The Peninsula Manila, Makati City, Philippines 1226
Tel: +632 812 3456 loc 3703 / 3707

www.scavolini.us

Client: RALPH AND TIFFANY LIM

Project: KITCHEN

Model: URBAN MINIMAL

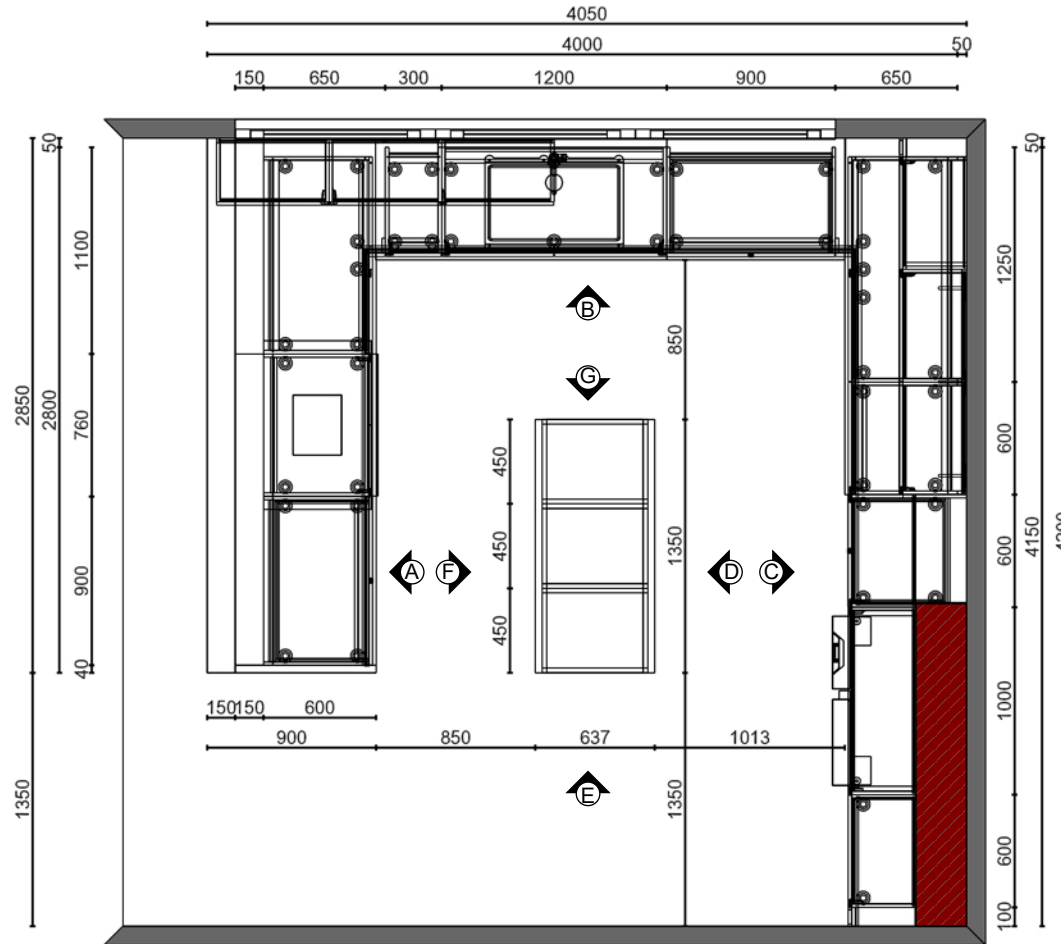
Date: 07/20/2019

Code: RTLK012

Version: 1869

Designer: MJC

SCAVOLINI™



FLOOR PLAN



PROPOSED BUILD-UP WALL
NOTE: BLOCKING AND SUPPORT BY GENERAL CONTRACTOR

Approved by:

Date:

MODULARITY INC.

Shop 9, 10 & 11 Corner of Ayala and Makati Avenues,
The Peninsula Manila, Makati City, Philippines 1226
Tel: +632 812 3456 loc 3703 / 3707

www.scavolini.us

Client: RALPH AND TIFFANY LIM

Project: KITCHEN

Model: URBAN MINIMAL

Date: 07/20/2019

Code: RTLK012

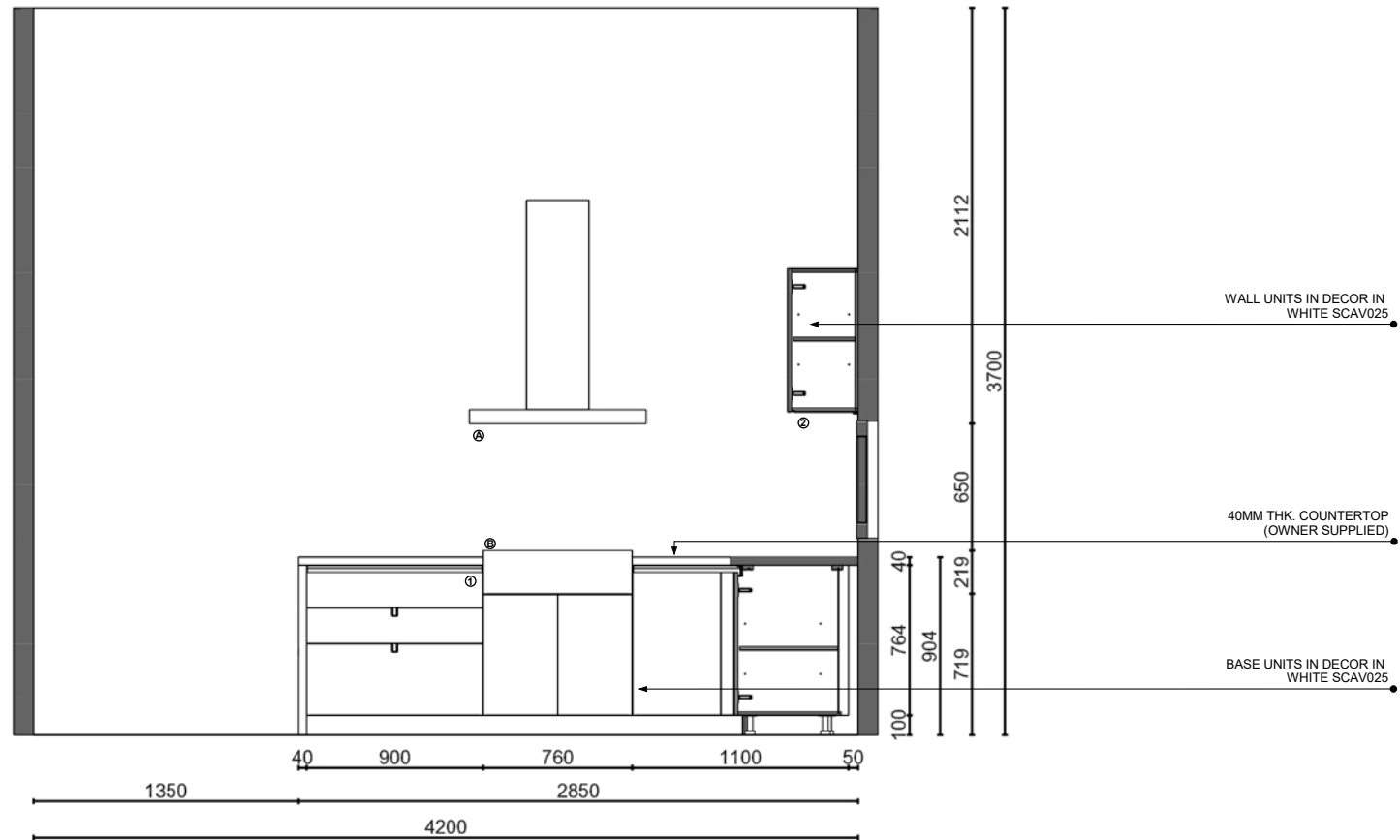
Version: 1869

Designer: MJC



NOTE: NEED TO VERIFY ACTUAL MEASUREMENTS

ACCESSORY LEGEND:	
	① 900MM CUTLERY INSERT GREY KILTER
	② NET XT W/ TRANSFORMER
APPLIANCE LEGEND:	
	③ WOLF COOKTOP ISLAND HOOD - BLACK DIM: 1067 X 870 X 673 (W X H X D) OWNER SUPPLIED
	④ BLUESTAR 30" PLATINUM SERIES RANGETOP DIM: 760 X 219 X 610 (W X H X D) OWNER SUPPLIED



ELEVATION A

Approved by:

Date:

MODULARITY INC.

Shop 9, 10 & 11 Corner of Ayala and Makati Avenues,
The Peninsula Manila, Makati City, Philippines 1226
Tel: +632 812 3456 loc 3703 / 3707

www.scavolini.us

Client: RALPH AND TIFFANY LIM

Project: KITCHEN

Model: URBAN MINIMAL

Date: 07/20/2019



Code: RTLK012

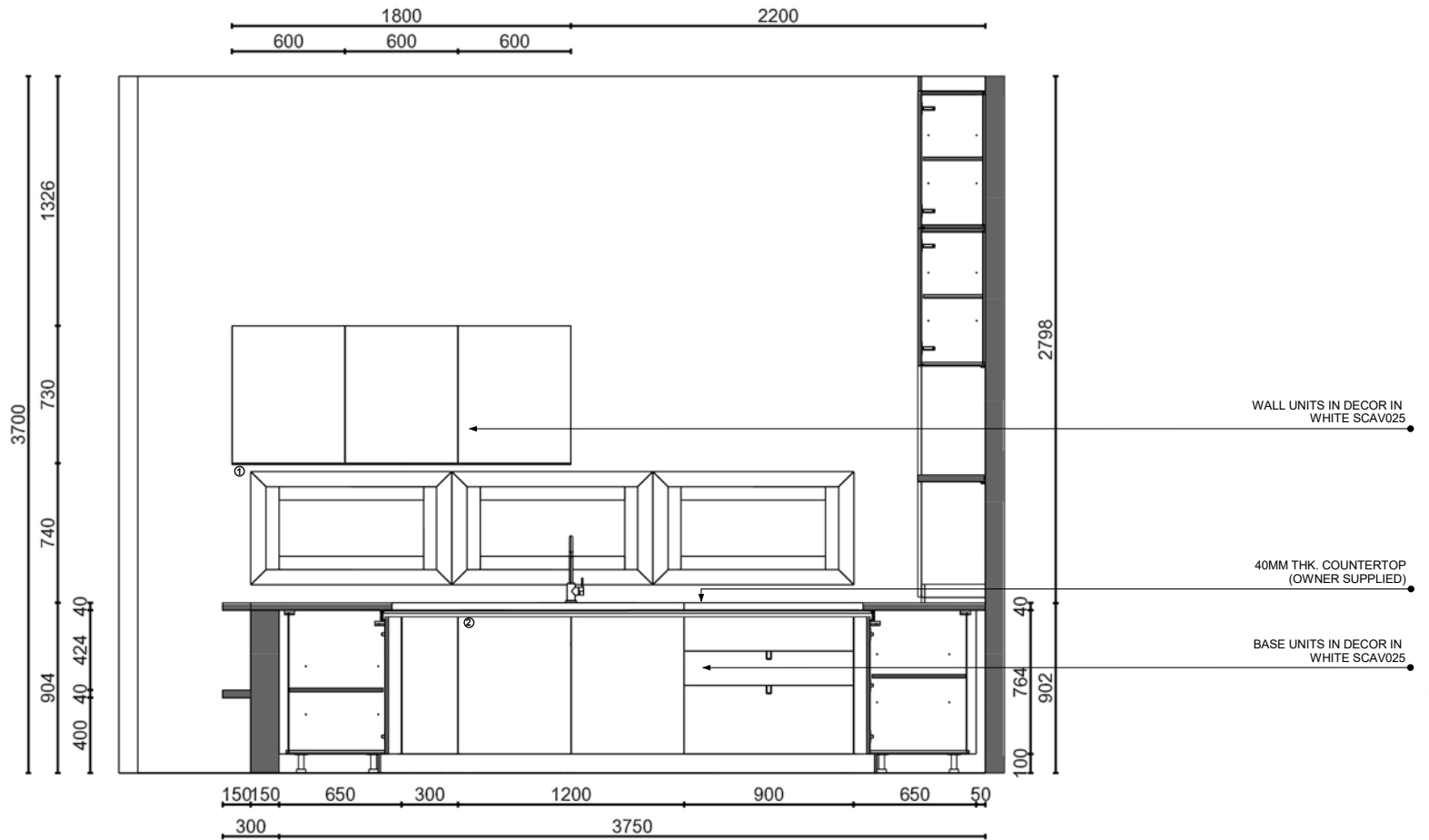
Version: 1869

Designer: MJC



NOTE: NEED TO VERIFY ACTUAL MEASUREMENTS

ACCESSORY LEGEND:	
	① NET XT W/ TRANSFORMER
	② SLIDE PLASTIC WASTE BIN, 2 CONTAINERS



AXONOMETRIC VIEW OF ELEVATION B

Approved by:

Date:

MODULARITY INC.

Shop 9, 10 & 11 Corner of Ayala and Makati Avenues,
The Peninsula Manila, Makati City, Philippines 1226
Tel: +632 812 3456 loc 3703 / 3707

www.scavolini.us

Client: RALPH AND TIFFANY LIM

Project: KITCHEN

Model: URBAN MINIMAL

Date: 07/20/2019





Code: RTLK012

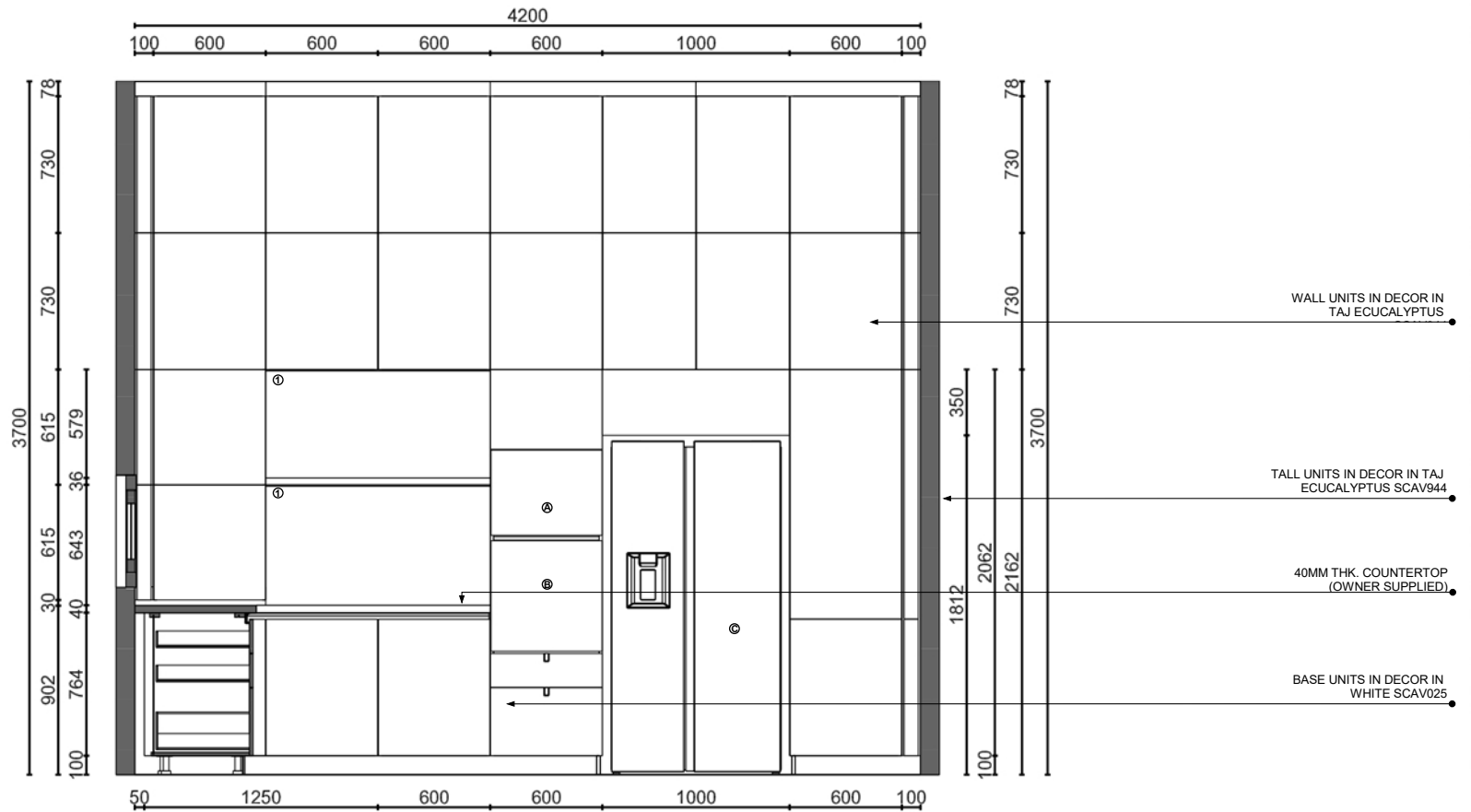
Version: 1869

Designer: MJC



NOTE: NEED TO VERIFY ACTUAL MEASUREMENTS

ACCESSORY LEGEND:	
	① NET XT W/ TRANSFORMER
APPLIANCE LEGEND:	
	ⓐ MICROWAVE OVEN ELBA EL 600 MW 600MM x 460MM (W x H) OWNER SUPPLIED
	ⓑ OVEN ELBA EL 800 600MM x 600MM (W x H) OWNER SUPPLIED
	ⓒ SAMSUNG REFRIGERATOR FRENCH DOOR - RF85R928SG 908MM X 1825MM X 898MM (W X H X D) OWNER SUPPLIED



AXONOMETRIC VIEW OF ELEVATION C

Approved by:

Date:

MODULARITY INC.

Shop 9, 10 & 11 Corner of Ayala and Makati Avenues,
The Peninsula Manila, Makati City, Philippines 1226
Tel: +632 812 3456 loc 3703 / 3707

www.scavolini.us

Client: RALPH AND TIFFANY LIM

Project: KITCHEN

Model: URBAN MINIMAL

Date: 07/20/2019

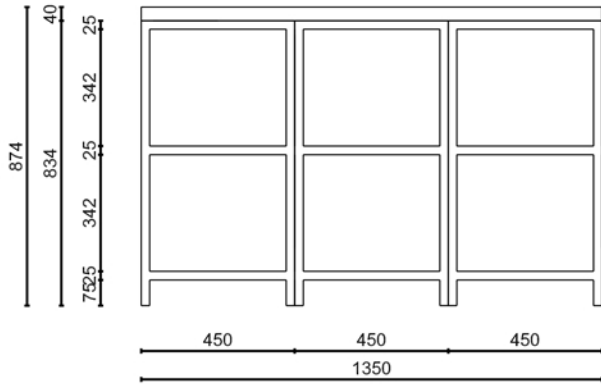
Code: RTLK012

Version: 1869

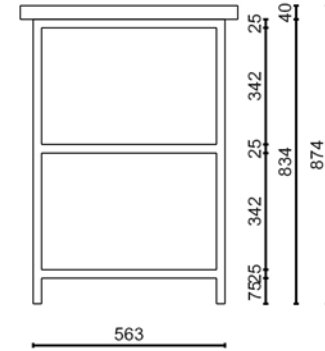
Designer: MJC



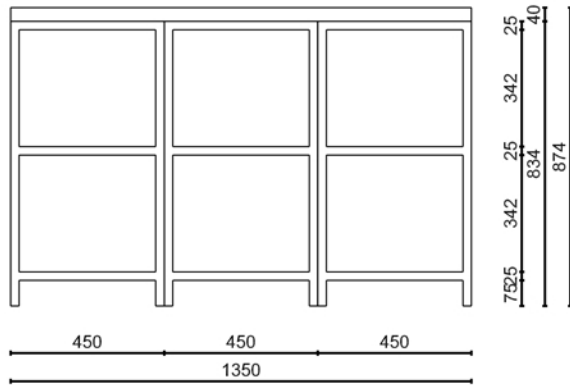
NOTE: NEED TO VERIFY ACTUAL MEASUREMENTS



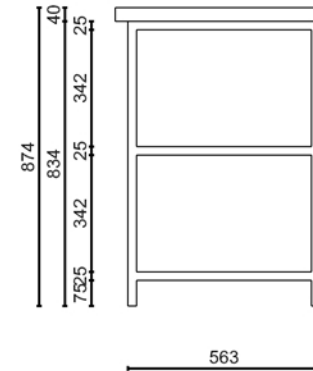
ELEVATION D



ELEVATION E



ELEVATION F



ELEVATION G

Approved by:

Date:

MODULARITY INC.

Shop 9, 10 & 11 Corner of Ayala and Makati Avenues,
The Peninsula Manila, Makati City, Philippines 1226
Tel: +632 812 3456 loc 3703 / 3707

www.scavolini.us

Client: RALPH AND TIFFANY LIM

Project: KITCHEN

Model: URBAN MINIMAL

Date: 07/20/2019

Code: RTLK012

Version: 1869

Designer: MJC



NOTE: NEED TO VERIFY ACTUAL MEASUREMENTS